

DS-7 THRU DS-10 SPECIFICATION SHEET

FOR INDOOR FRESH AND SALT WATER APPLICATIONS

POWER CORD PLUG TYPE

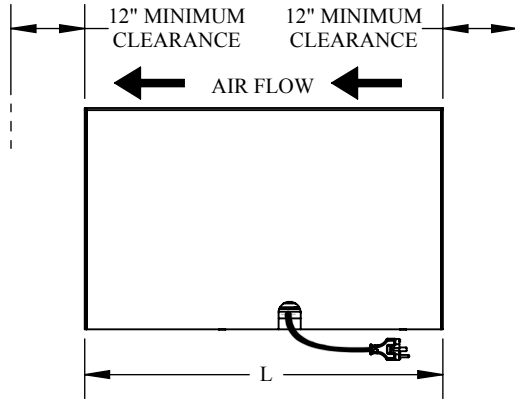
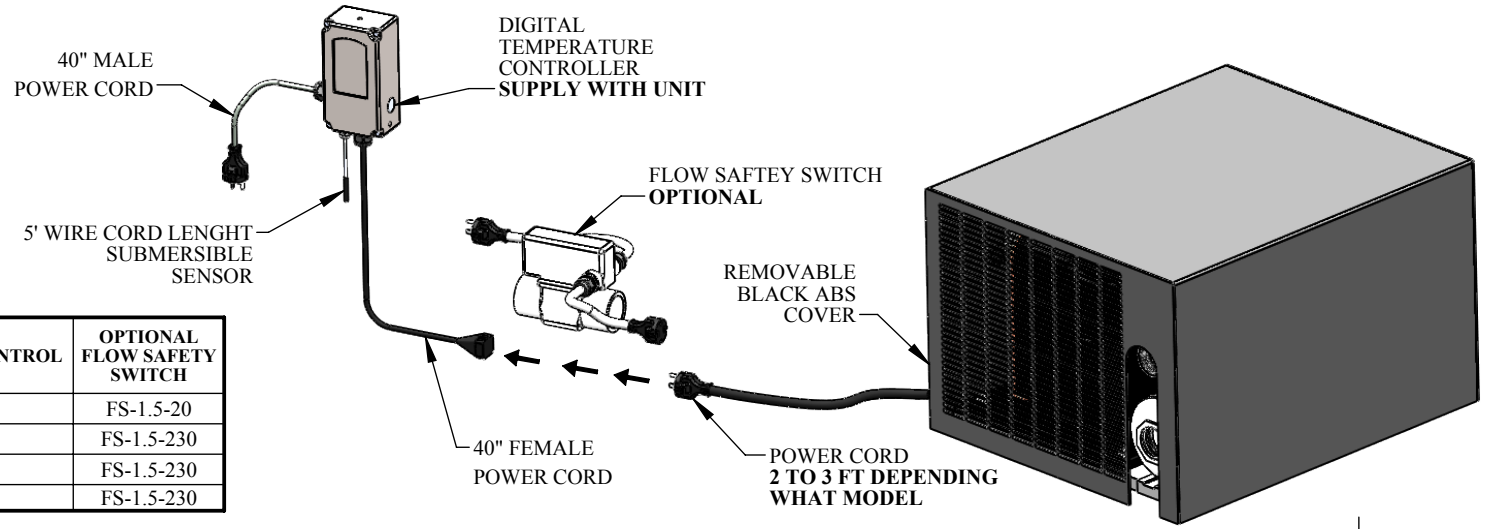


#5-20P
DS-7

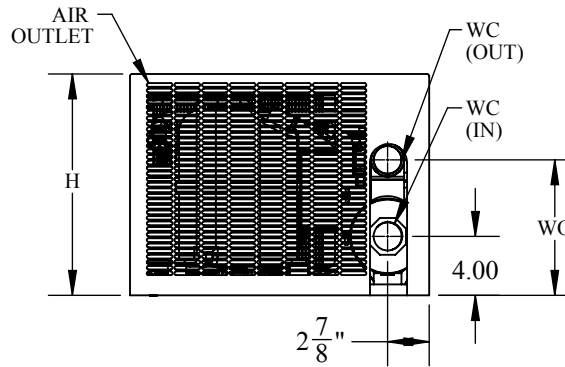


#6-15P
DS-8 THRU DS-10

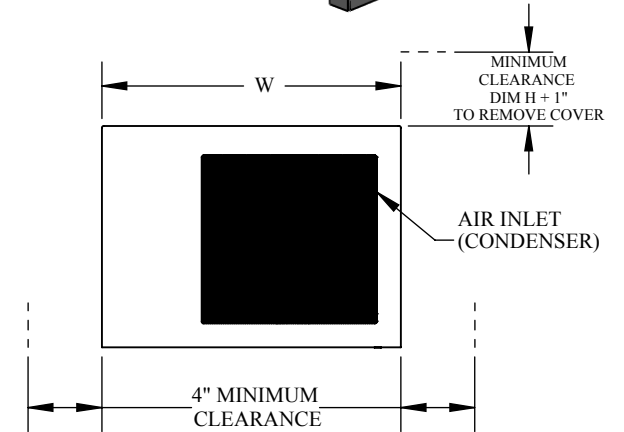
CHILLER	DIGITAL TEMP. CONTROL	OPTIONAL FLOW SAFETY SWITCH
DS-7	DC115-20	FS-1.5-20
DS-8	DC230S	FS-1.5-230
DS-9	DC230S	FS-1.5-230
DS-10	DC230S	FS-1.5-230



LEFT SIDE



FRONT



BACK

WO: WATER OUTLET WC: WATER CONNECTION SIZE

CHILLER SPECIFICATIONS

MODEL NO.	HP	NOMINAL BTUH	REFRIGERANT TYPE/ CHARGE	VOLTS / PHASE	RLA AMPS.	LRA AMPS.	MCA AMPS	MAX FUSE / BREAKER	WATTS	WATER FLOW RATE (GPM)	AIR OUTPUT (CFM)	L	W	H	WO	WC WATER IN / OUT (FPT)
DS-7	3/4	9500	R134A / 2.4 LBS	115	15.4	70	19.2	30	1771	15-30	590	25"	24"	14 3/4"	9 1/4"	1 1/2"
DS-8	3/4	9500	R134A / 2.4 LBS	230 / 1	8.4	42	10.5	15	1932	15-30	590	25"	24"	14 3/4"	9 1/4"	1 1/2"
DS-9	1	12,000	R134A / 3 LBS	230 / 1	9	43	11.2	15	2070	20-35	610	26 1/2"	28"	17 3/4"	9 1/4"	1 1/2"
DS-10	1 1/2	21,000	R417A / 4 LBS	230 / 1	10.5	52	13.4	20	2415	25-40	772	26 1/4"	26"	17 1/2"	12"	1 1/2"

NOTES:

- ALL CHILLERS ARE SUPPLIED STANDARD WITH TXV'S FOR WATER TEMPERATURES RANGING BETWEEN 40-80°F, MAXIMUM AIR TEMPERATURE IS 100°F, MINIMUM AIR TEMPERATURE IS 55°F. CONSULT AQUA LOGIC FOR AIR TEMPERATURES OUTSIDE THIS RANGE.
- ALL DIMENSIONS ARE APPROXIMATE AND CAN CHANGE WITHOUT NOTICE.



9558 Camino Ruiz, San Diego, CA 92126

DRAWING # PDF-0018

SHEET TITLE DS-7 THRU DS-10 CHILLER SPECIFICATION

* COPYRIGHT *
These drawings including design idea and construction techniques herein are the sole property of Aqua Logic Inc. They shall not be revised, copied, or reproduced in any manner without the written consent of Aqua Logic Inc.

DESCRIPTION DELTA STAR AIR COOLED WATER CHILLERS

DRAWN BY Arnaldo Guzman DATE 6/6/2018 REVISION DANFOSS

SCALE 1:13 SHEET # 1 OF 1