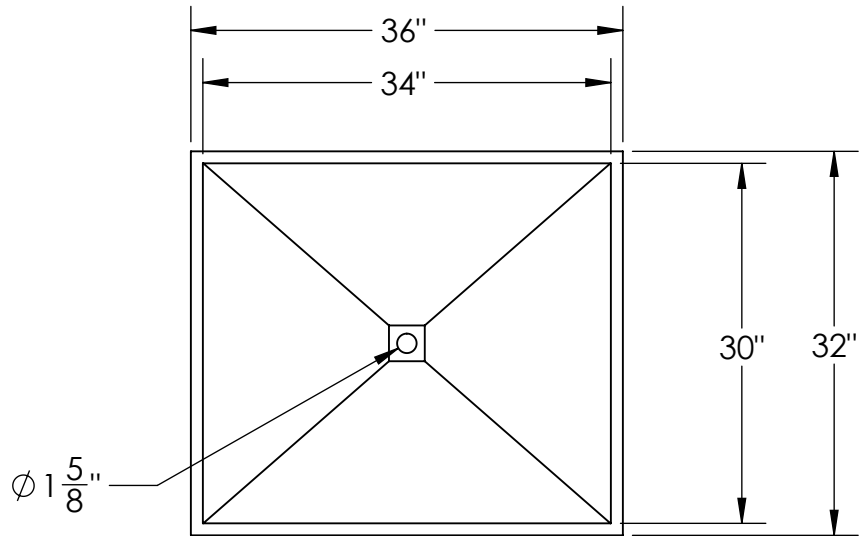


2" Full Coupling Glassed to tank Bottom

1" Street Elbow
MPT x SOC
Threads Outside Tank



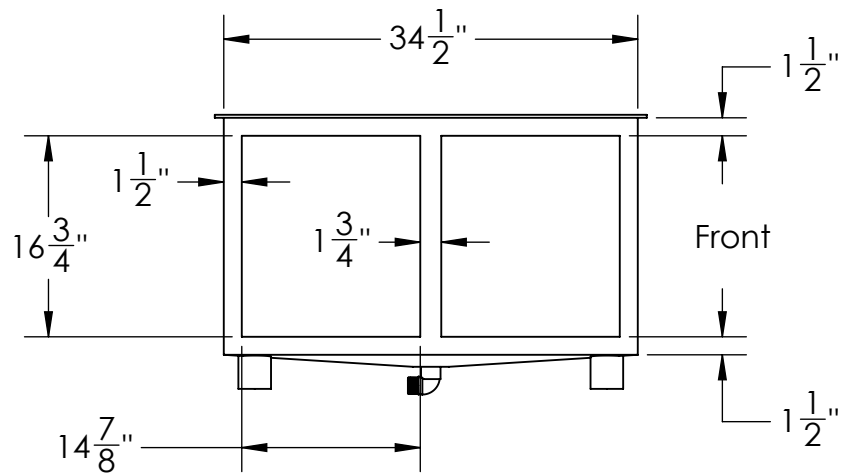
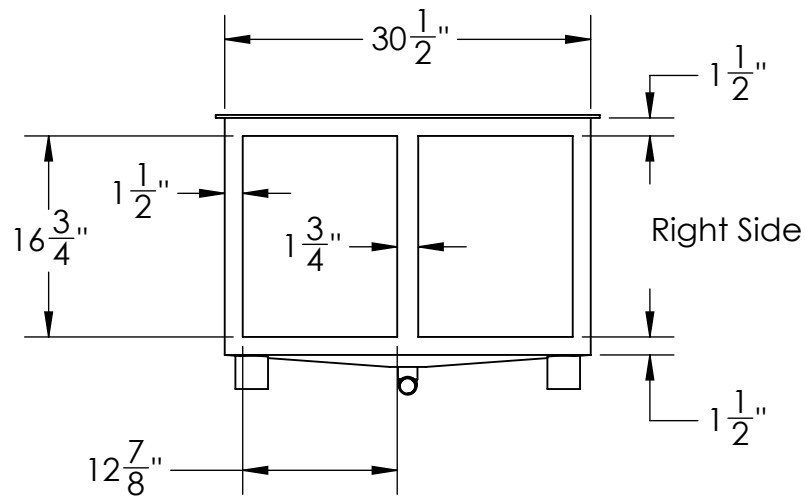
GEMINI
FIBERGLASS
8268 Clairemont Mesa Blvd
San Diego, CA 92111

DRAWING # FRT-88-CUSTOM SHEET TITLE

Harvester
Dimensional Detail

* COPYRIGHT *
These drawings including design idea and construction techniques herein are the sole property of Gemini Fiberglass Inc. They shall not be revised, copied, or reproduced in any manner without the written consent of Gemini Fiberglass Inc.

DESCRIPTION		DATE		REVISION		SCALE	SHEET #
34" x 32" x 20" Harvesting Vessel		3/12/2015				1:16	1 OF 2
DRAWN BY	MP	DATE	3/12/2015	REVISION		SCALE	1:16



8268 Clairemont Mesa Blvd
San Diego, CA 92111

DRAWING #
FR1-B8-CUSTOM

SHEET TITLE

Window
Detail

* COPYRIGHT *
These drawings including design idea
and construction techniques herein are the
sole property of Gemini Fiberglass Inc.
They shall not be revised, copied, or
reproduced in any manner without the
written consent of Gemini Fiberglass Inc.

DESCRIPTION

34" x 30" x 21" Harvester

DRAWN BY
MP

DATE
3/12/2015

REVISION

SCALE

SHEET #
2 OF 2