



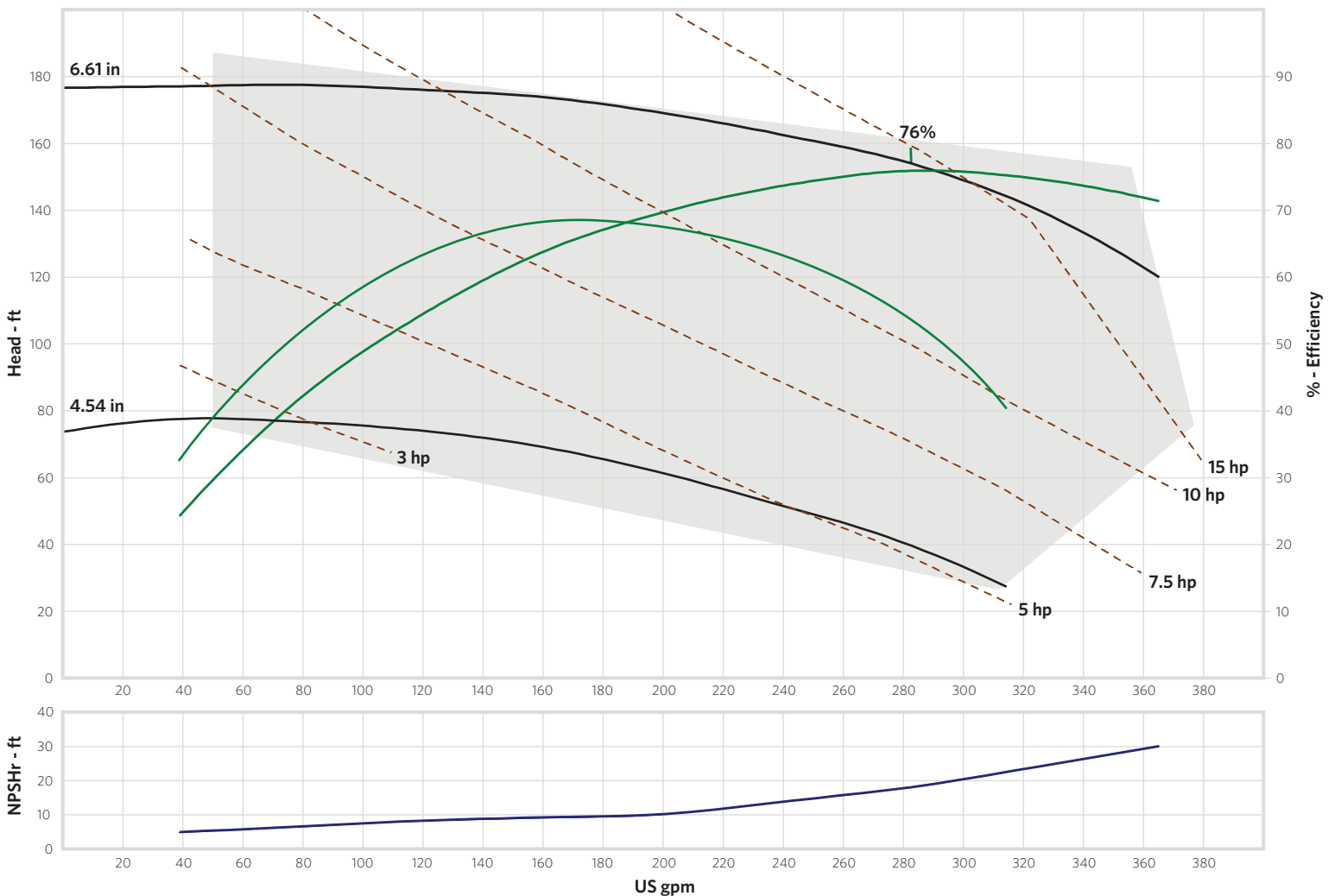
The GENESYS® non-metallic, end-suction centrifugal pump line is designed and engineered to provide highly efficient pumping solutions. The composite construction with the option of no wetted metal parts, gives it compatibility with many aggressive chemistries. The unique closed-impeller and time-tested volute design render 2-pole performances up to:

- 340 GPM
- 178' Head
- Peak Efficiency 76%

GENESYS® 2 Pole Full / Minimum Diameter Performance Curve

Speed: 3550 rpm

Size: 2x3x6



Pump:

Size: 2x3x6
 Type: Genesys
 Synch speed: 3600 rpm
 Curve:
 Specific Speeds:
 Dimensions:
 Speed: 3550 rpm
 Dia: 6.61 in
 Impeller:
 Ns: ---
 Nss: ---
 Suction: 3 in
 Discharge: 2 in

Search Criteria:

Flow: --- Head: ---

Fluid:

Water
 SG: 1
 Viscosity: 1.105 cP
 NPSHa: ---
 Temperature: 60 °F
 Vapor pressure: 0.2563 psi a
 Atm pressure: 14.7 psi a

Motor:

Standard: NEMA JM
 Enclosure: TEFC
 Sizing criteria: Max Power on Design Curve
 Speed: ---
 Frame: ---

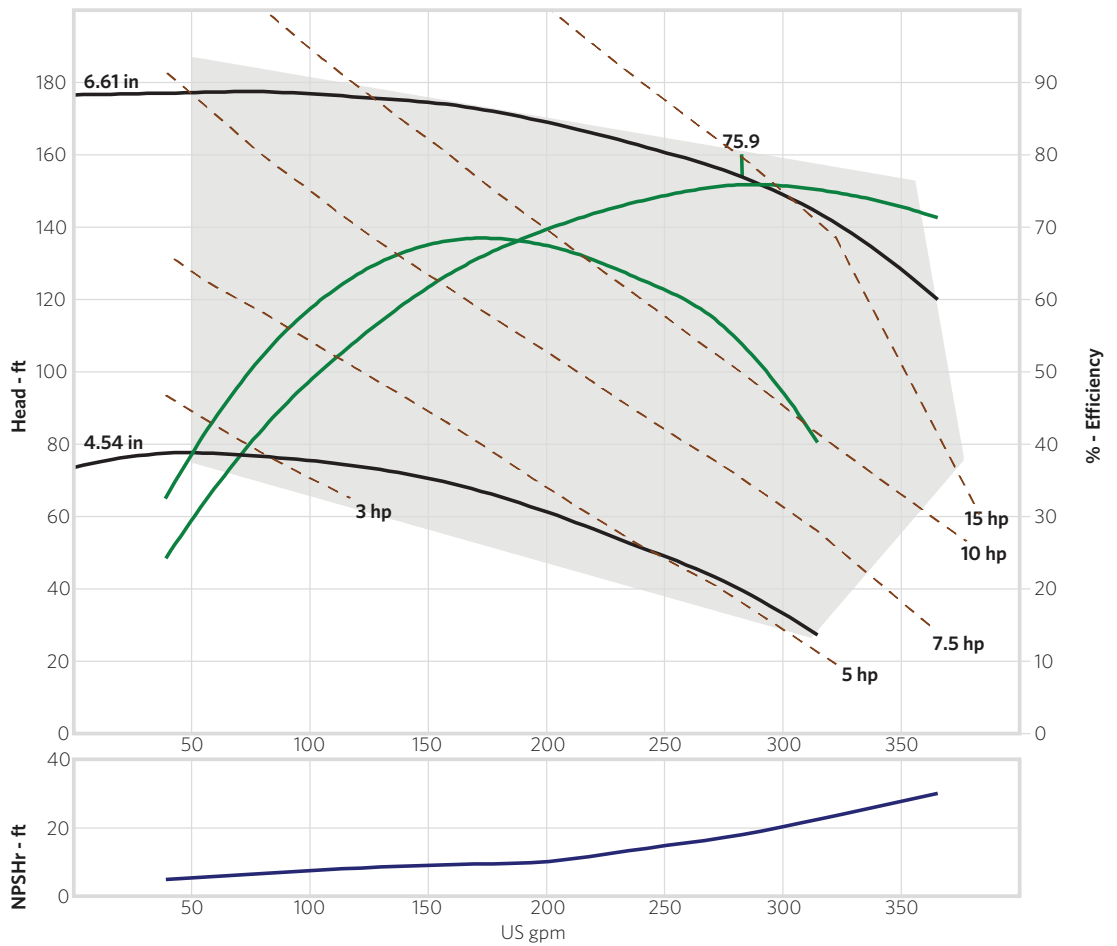
Pump Limits:

Temperature: 194 °F
 Pressure: 78 psi g
 Sphere size: 0.5 in
 Power: 15 hp
 Eye area: 5.31 in²

Pump Selection Warnings:

Design curve maximum power exceeds limit for the pump.

---- Data Point ----	
Flow:	283 US gpm
Head:	154 ft
Eff:	75.9%
Power:	14.5 hp
NPSHr:	18.1 ft
---- Design Curve ----	
Shutoff head:	177 ft
Shutoff dP:	76.5 psi
Min flow:	50 US gpm
BEP:	75.9% @ 283 US gpm
NOL power:	15.5 hp @ 365 US gpm
-- Max Curve --	
Max power:	15.5 hp @ 365 US gpm



Performance Evaluation:						
Flow US gpm	Speed rpm	Head ft	Efficiency %	Power hp	NPSHr ft	
350	3550	128	72.6	15.5	27.9	
292	3550	151	75.6	14.7	19.5	
234	3550	163	73	13.2	13.3	
175	3550	172	66.1	11.5	9.63	
117	3550	176	53.5	9.69	8.17	

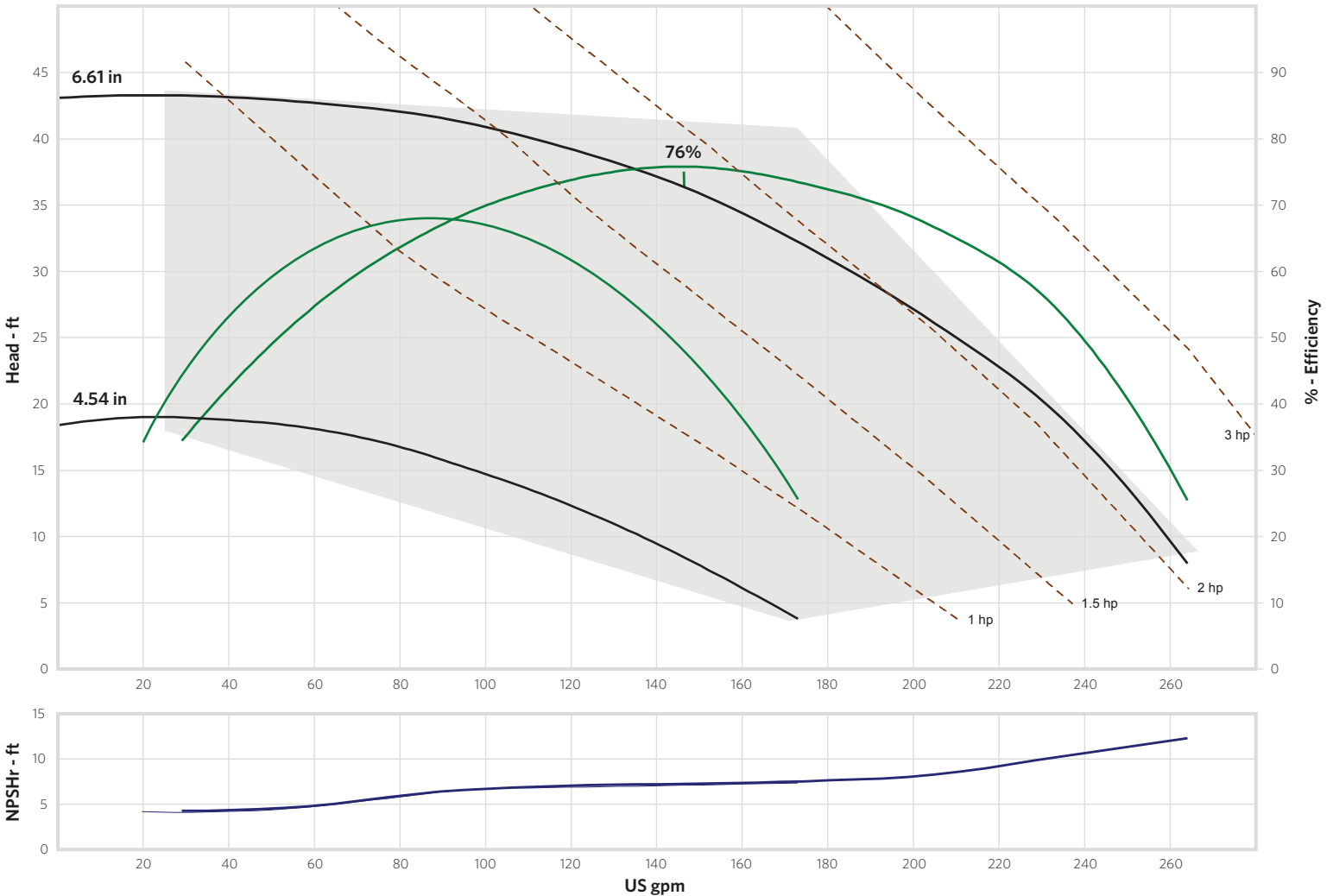


The GENESYS® non-metallic, end-suction centrifugal pump line is designed and engineered to provide highly efficient pumping solutions. The composite construction with the option of no wetted metal parts, gives it compatibility with many aggressive chemistries. The unique closed-impeller and time-tested volute design render 4-pole performances up to:

- 250 GPM
- 43' Head
- Peak Efficiency 76%

GENESYS® 4 Pole Full / Minimum Diameter Performance Curve

Speed: 1750 rpm Size: 2x3x6



Pump:

Size: 2x3x6
 Type: Genesys
 Synch speed: 1800 rpm
 Curve:
 Specific Speeds:
 Dimensions:
 Suction: 3 in
 Discharge: 2 in

Search Criteria:

Flow: --- Head: ---

Fluid:

Water
 SG: 1
 Viscosity: 1.105 cP
 NPSHa: ---
 Temperature: 60 °F
 Vapor pressure: 0.2563 psi a
 Atm pressure: 14.7 psi a

Motor:

Standard: NEMA JM
 Enclosure: TEFC
 Sizing criteria: Max Power on Design Curve
 Size: 3 hp
 Speed: 1800
 Frame: 182JM

Pump Limits:

Temperature: 194 °F
 Pressure: 20 psi g
 Sphere size: 0.5 in
 Power: 3 hp
 Eye area: 5.31 in²

---- Data Point ----

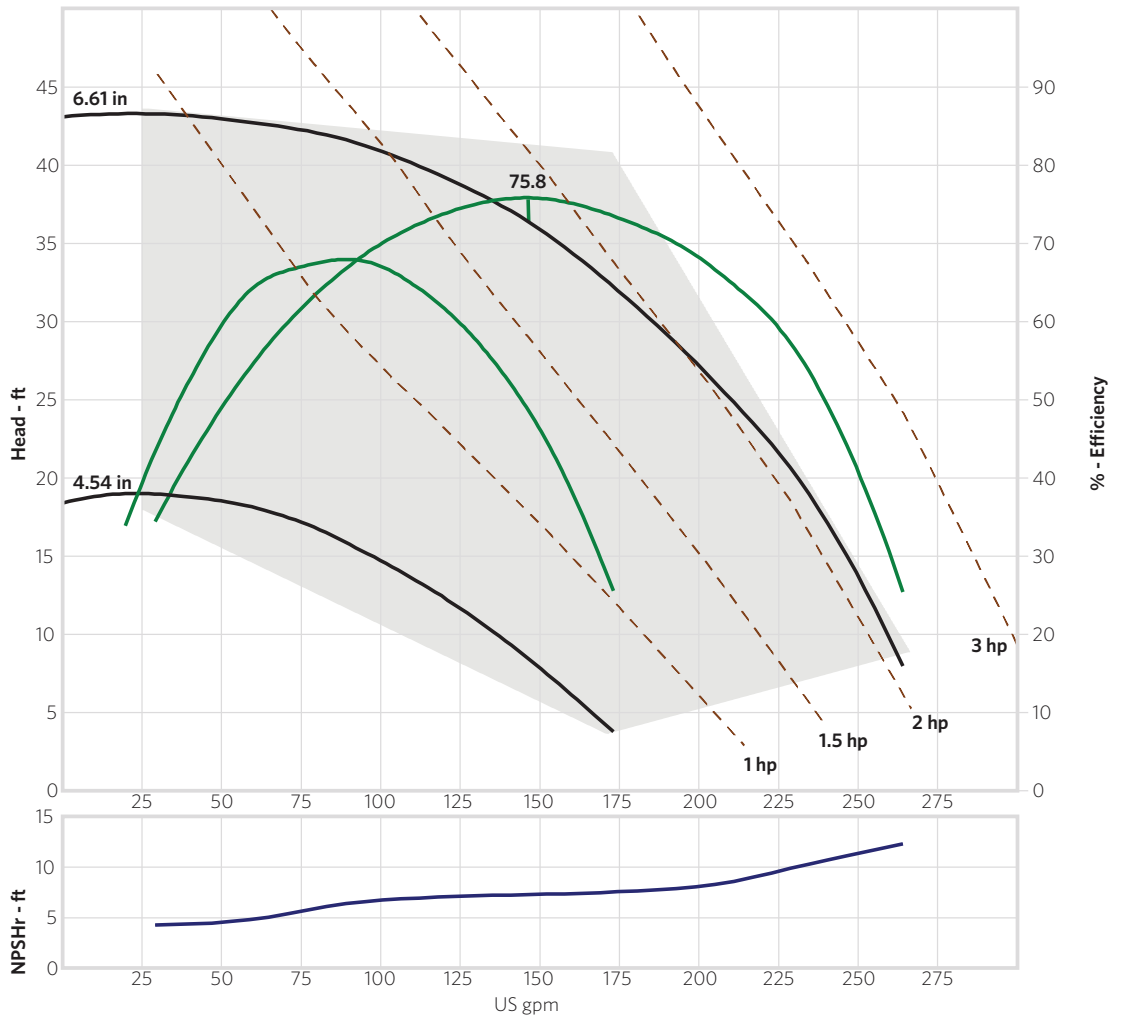
Flow: 146 US gpm
 Head: 36.4 ft
 Eff: 75.8%
 Power: 1.77 hp
 NPSHr: 7.29 ft

---- Design Curve ----

Shutoff head: 43.1 ft
 Shutoff dP: 18.7 psi
 Min flow: 50 US gpm
 BEP: 75.8% @ 146 US gpm
 NOL power:
 2.09 hp @ 234 US gpm

-- Max Curve --

Max power:
 2.09 hp @ 234 US gpm



Performance Evaluation:						
Flow US gpm	Speed rpm	Head ft	Efficiency %	Power hp	NPSHr ft	
253	1750	12.1	35.9	2.09	11.6	
211	1750	24.6	64	2.04	8.71	
169	1750	32.8	73.8	1.89	7.51	
127	1750	38.4	74.2	1.65	7.13	
84.4	1750	41.8	64.9	1.36	6.16	



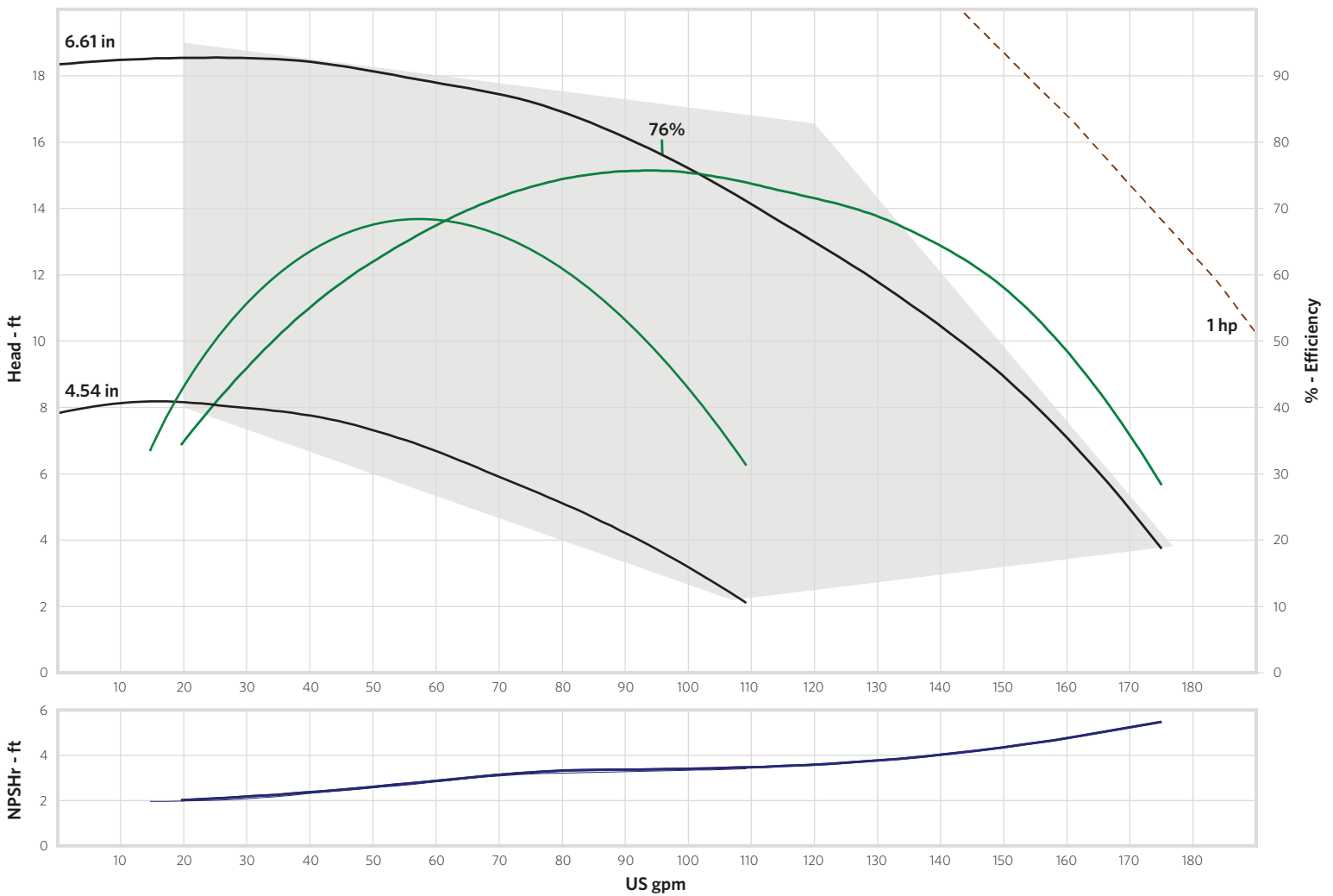
The GENESYS® non-metallic, end-suction centrifugal pump line is designed and engineered to provide highly efficient pumping solutions. The composite construction with the option of no wetted metal parts, gives it compatibility with many aggressive chemistries. The unique closed-impeller and time-tested volute design render 6-pole performances up to:

- 170 GPM
- 18' Head
- Peak Efficiency 76%

GENESYS® 6 Pole Full / Minimum Diameter Performance Curve

Speed: 1150 rpm

Size: 2x3x6



Pump:

Size: 2x3x6
 Type: Genesys
 Synch speed: 1200 rpm
 Curve:
 Specific Speeds:
 Dimensions:
 Speed: 1150 rpm
 Dia: 6.61 in
 Impeller:
 Ns: ---
 Nss: ---
 Suction: 3 in
 Discharge: 2 in

Search Criteria:

Flow: --- Head: ---

Fluid:

Water
 SG: 1
 Viscosity: 1.105 cP
 NPSHa: ---
 Temperature: 60 °F
 Vapor pressure: 0.2563 psi a
 Atm pressure: 14.7 psi a

Motor:

Standard: NEMA JM
 Enclosure: TEFC
 Sizing criteria: Max Power on Design Curve
 Size: 1 hp
 Speed: 1200
 Frame: 143JM

Pump Limits:

Temperature: 194 °F
 Pressure: 10 psi g
 Sphere size: 0.5 in
 Power: 0.75 hp
 Eye area: 5.31 in²

---- Data Point ----

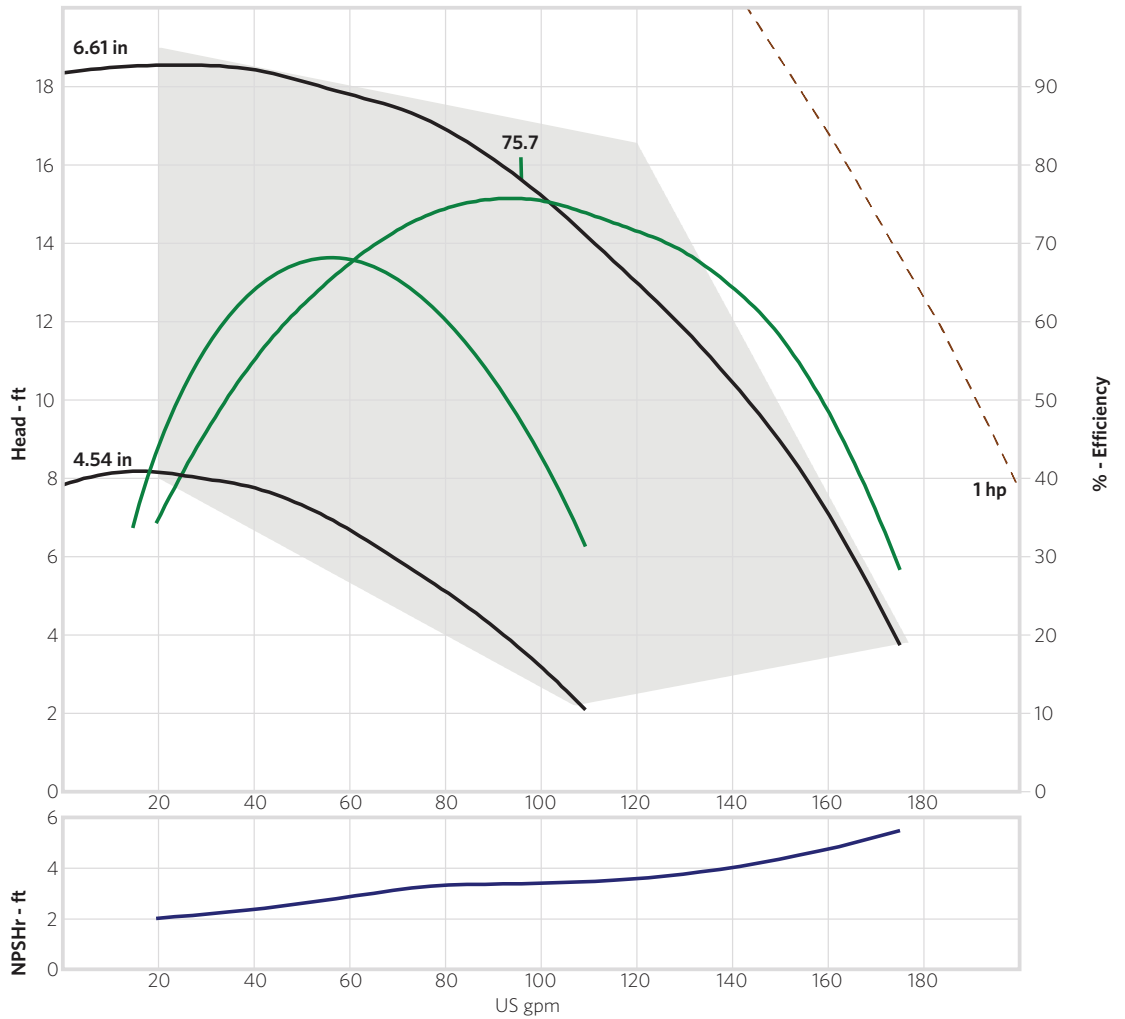
Flow: 95.8 US gpm
 Head: 15.6 ft
 Eff: 75.7%
 Power: 0.499 hp
 NPSHr: 3.4 ft

---- Design Curve ----

Shutoff head: 18.3 ft
 Shutoff dP: 7.94 psi
 Min flow: 50 US gpm
 BEP: 75.7% @ 95.8 US gpm
 NOL power:
 0.586 hp @ 154 US gpm

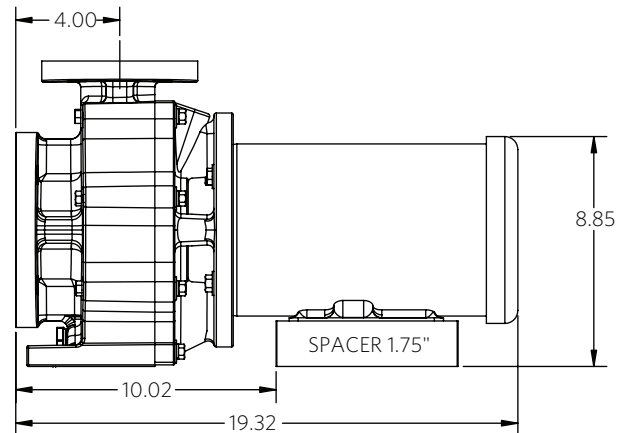
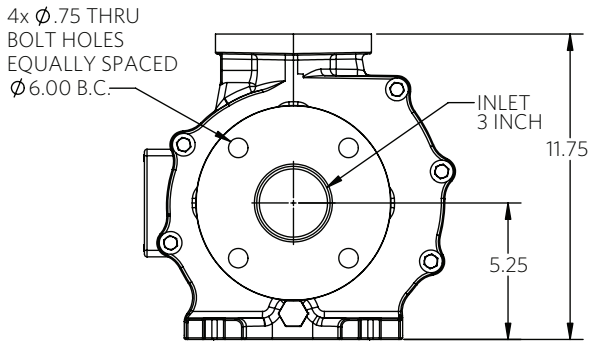
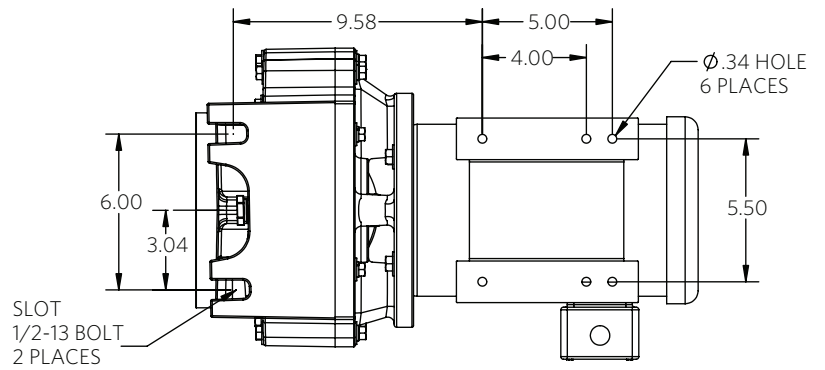
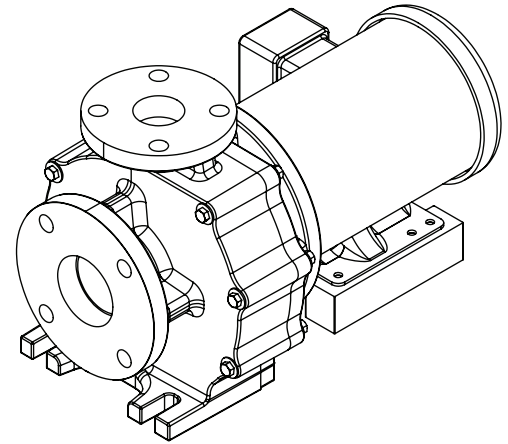
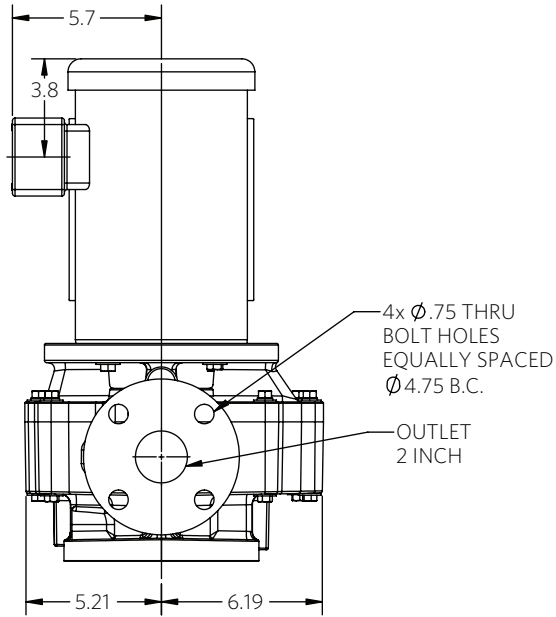
-- Max Curve --

Max power:
 0.586 hp @ 154 US gpm

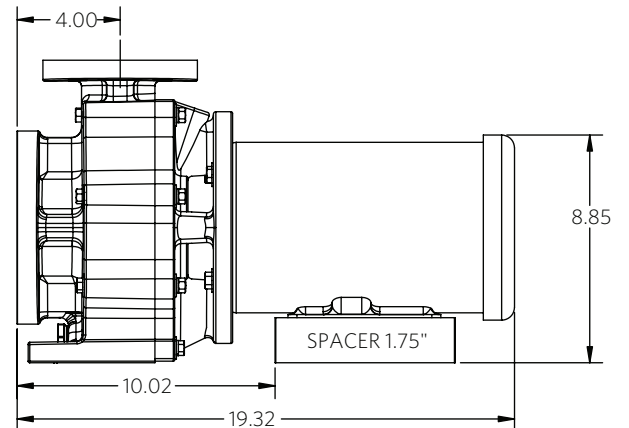
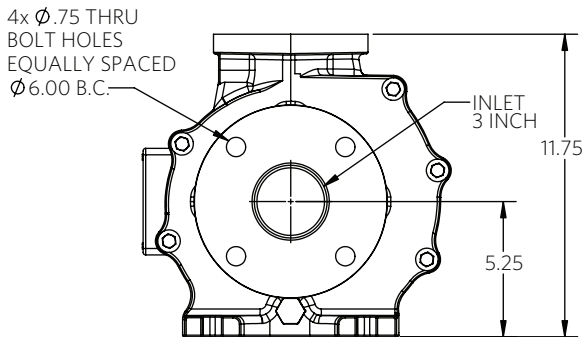
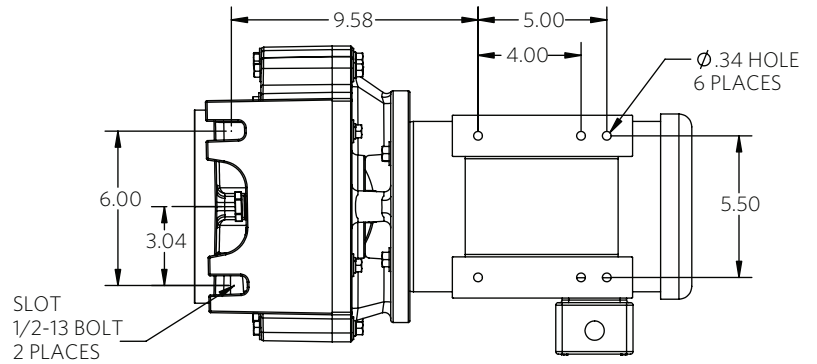
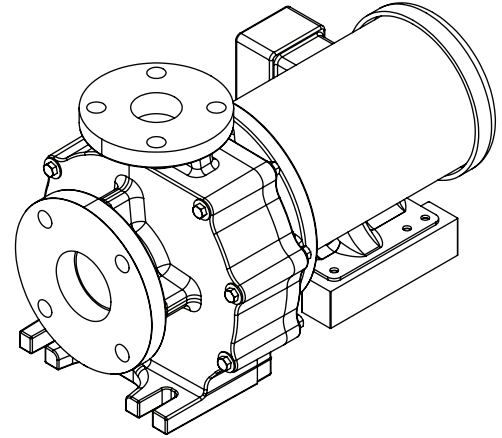
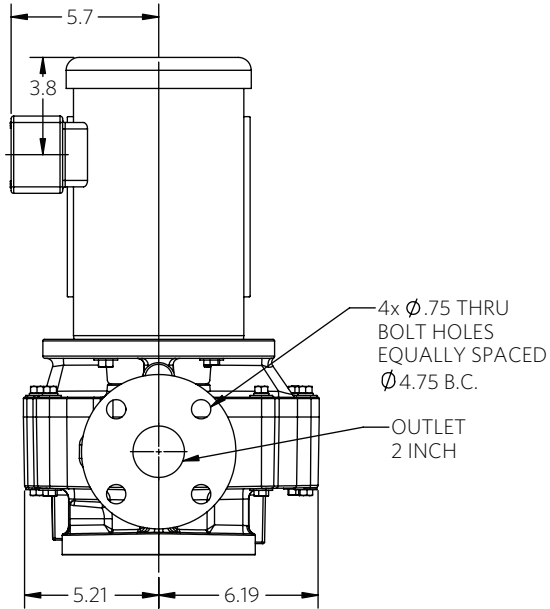


Performance Evaluation:

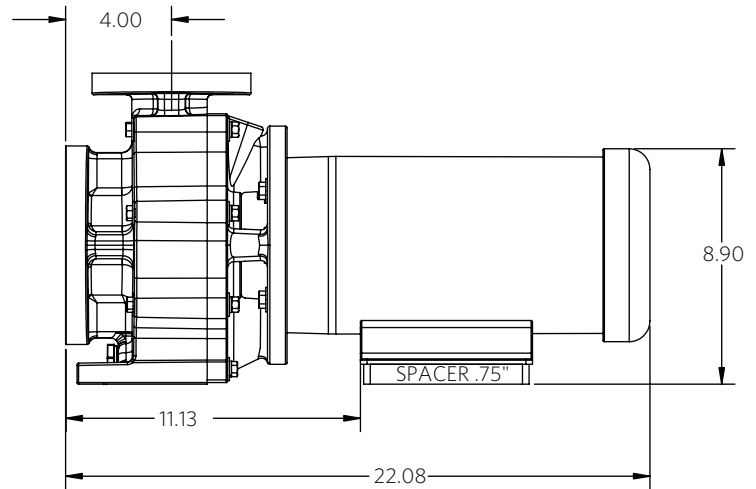
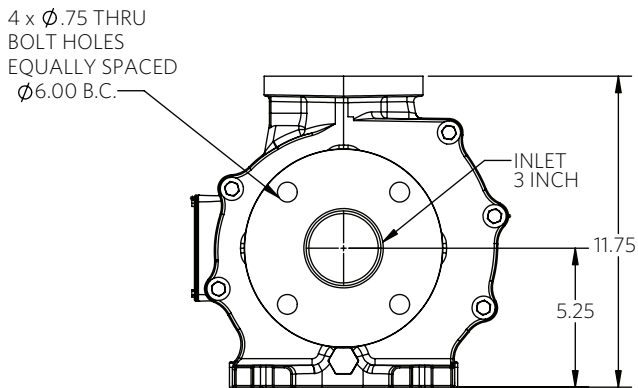
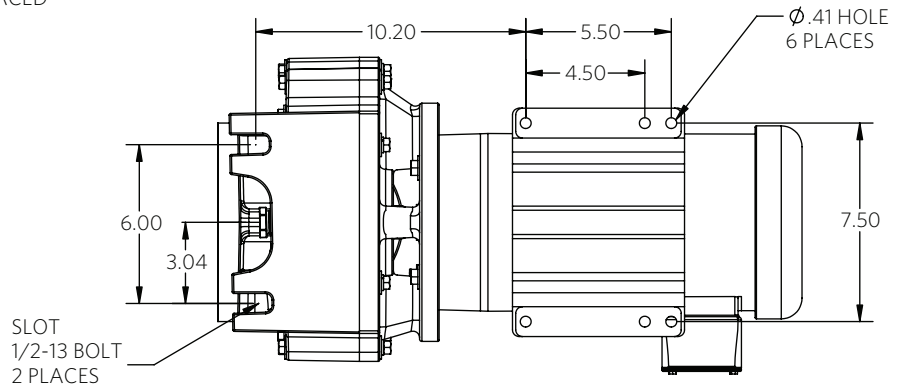
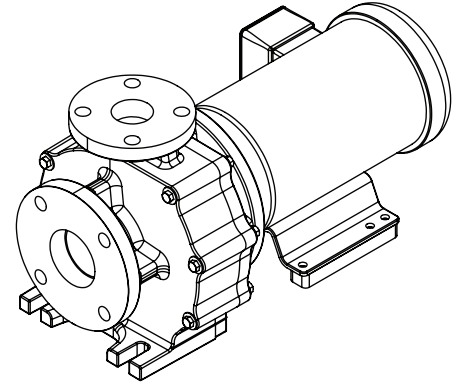
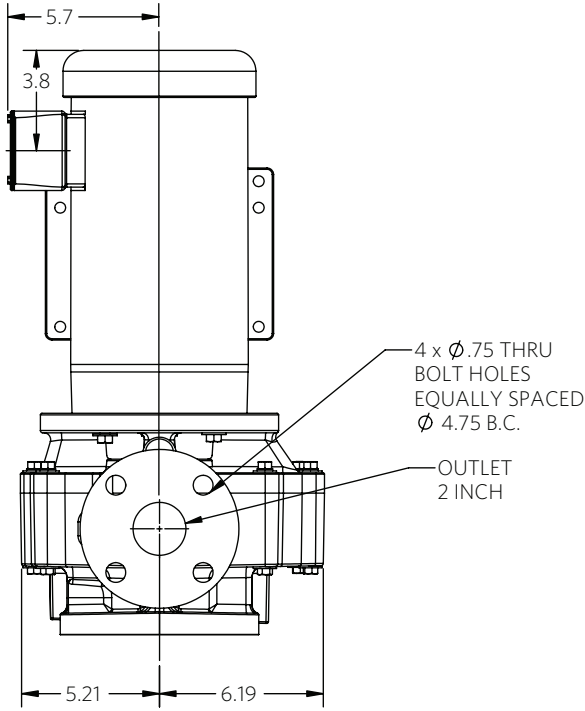
Flow US gpm	Speed rpm	Head ft	Efficiency %	Power hp	NPSHr ft
168	1150	5.24	37	0.585	5.16
140	1150	10.3	63.3	0.573	4.07
112	1150	13.9	73.1	0.535	3.51
84	1150	16.5	74.5	0.469	3.33
56	1150	17.9	65.3	0.387	2.78



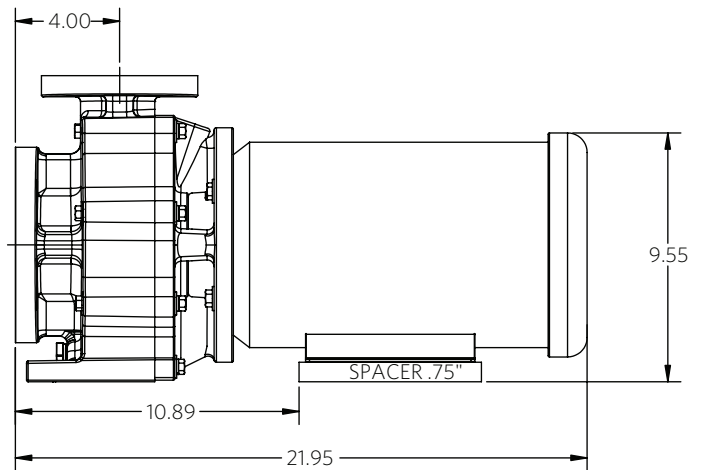
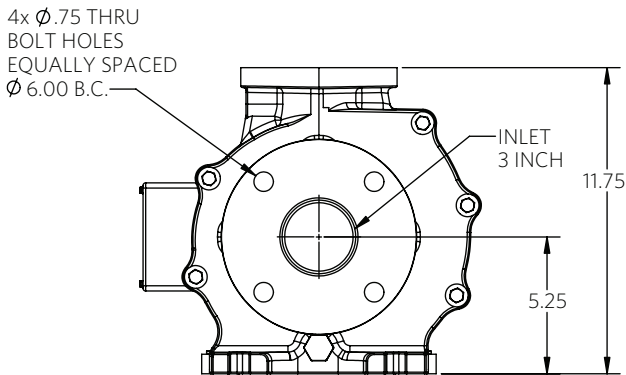
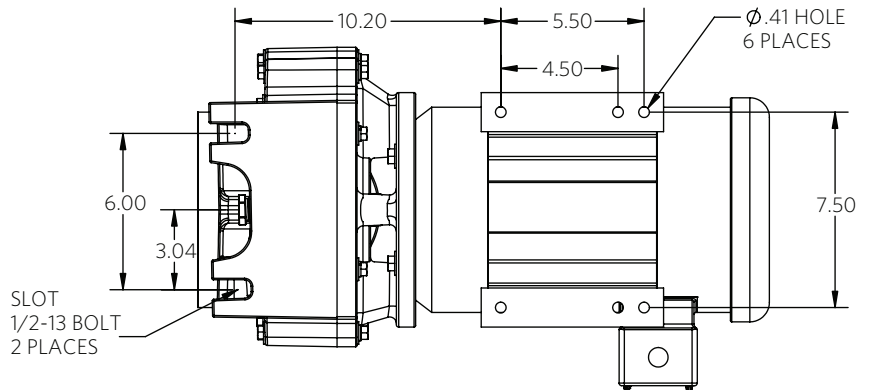
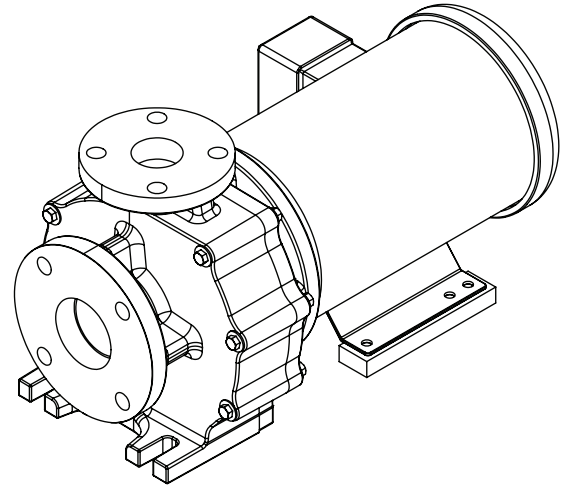
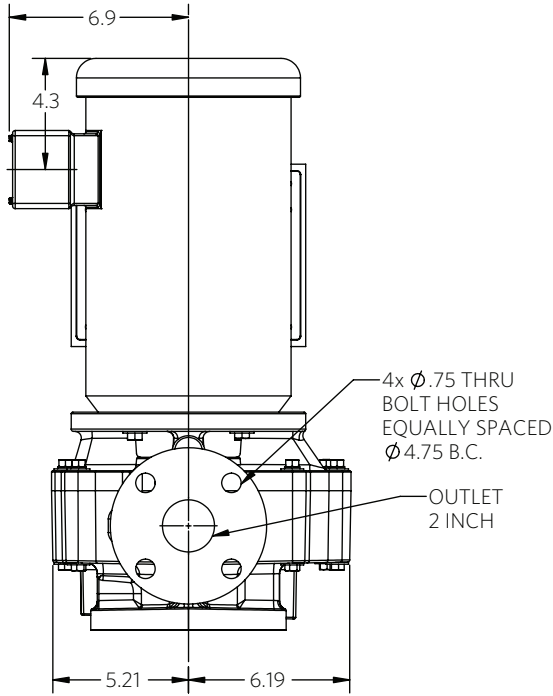
*Dimensions and illustrations are approximate and for reference only. For engineering approved documentation contact MDM Inc.



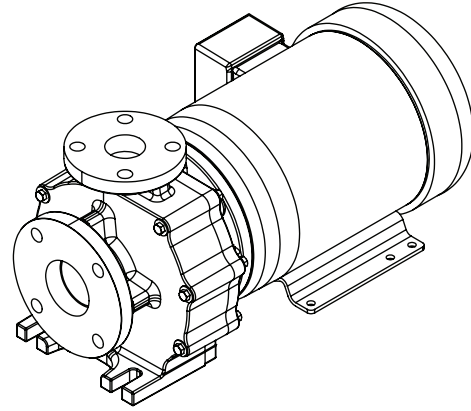
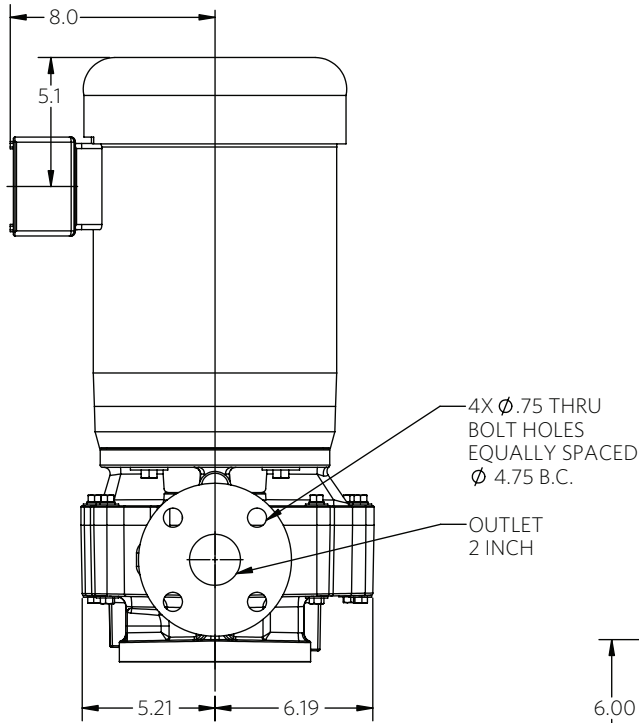
*Dimensions and illustrations are approximate and for reference only. For engineering approved documentation contact MDM Inc.



*Dimensions and illustrations are approximate and for reference only. For engineering approved documentation contact MDM Inc.

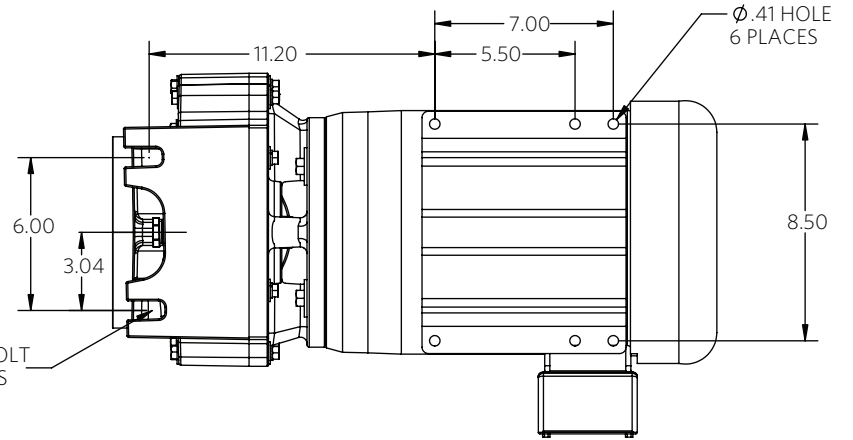


*Dimensions and illustrations are approximate and for reference only. For engineering approved documentation contact MDM Inc.



4X ϕ .75 THRU
BOLT HOLES
EQUALLY SPACED
 ϕ 4.75 B.C.

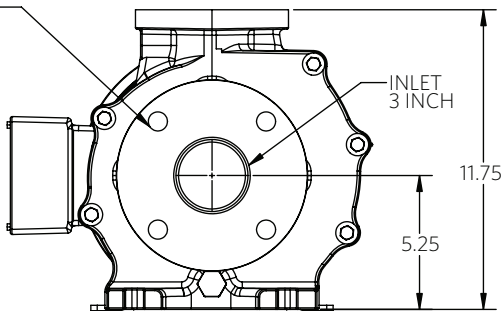
OUTLET
2 INCH



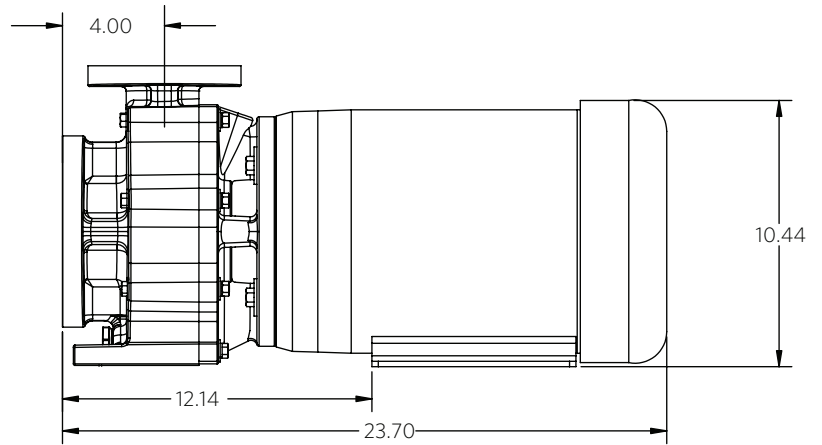
SLOT
1/2-13 BOLT
2 PLACES

ϕ .41 HOLE
6 PLACES

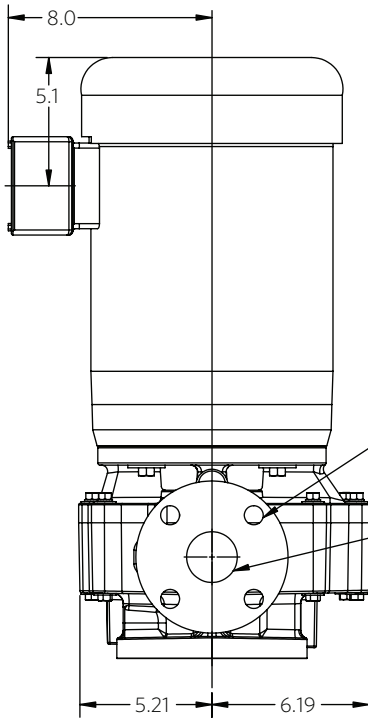
4X ϕ .75 THRU
BOLT HOLES
EQUALLY SPACED
 ϕ 6.00 B.C.



INLET
3 INCH

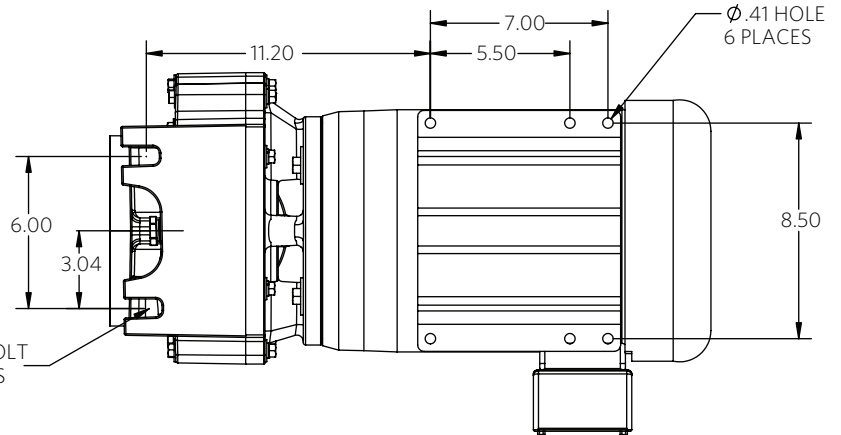
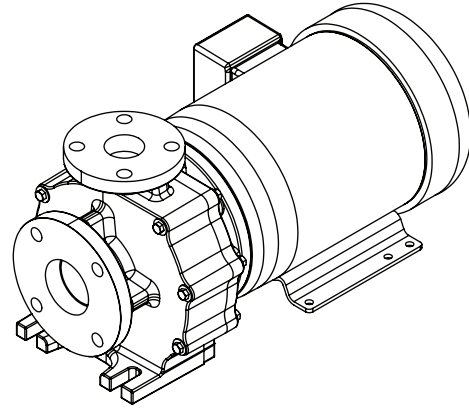


*Dimensions and illustrations are approximate and for reference only.
For engineering approved documentation contact MDM Inc.



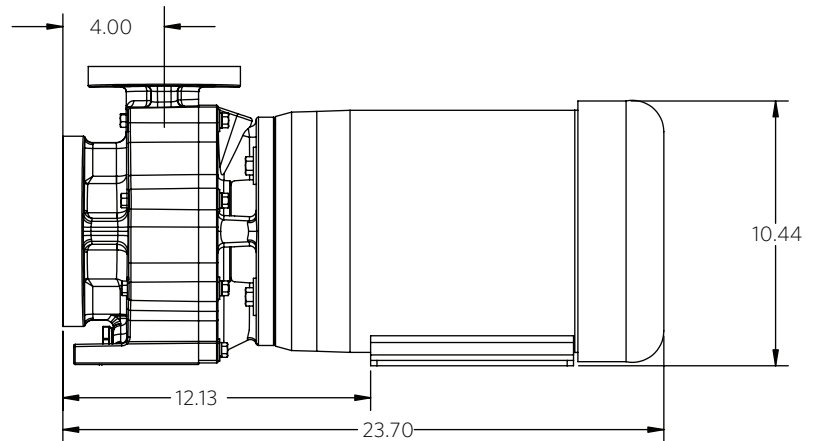
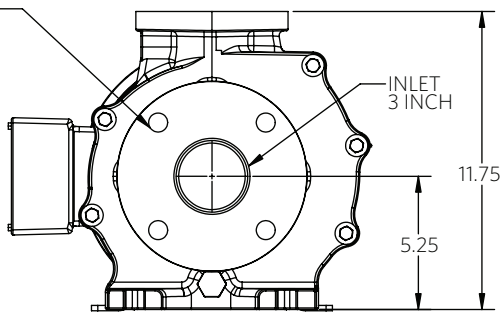
4X Ø.75 THRU
BOLT HOLES
EQUALLY SPACED
Ø 4.75 B.C.

OUTLET
2 INCH

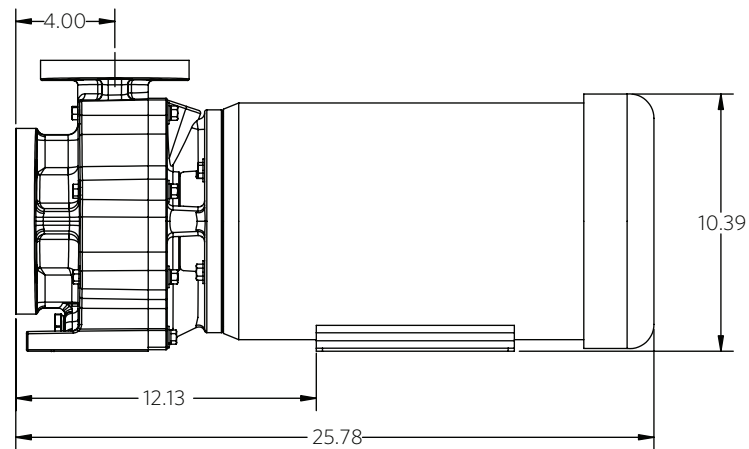
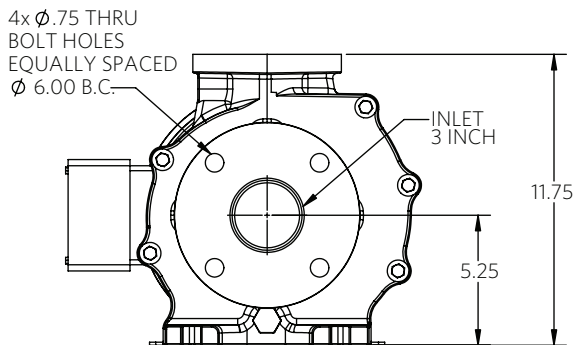
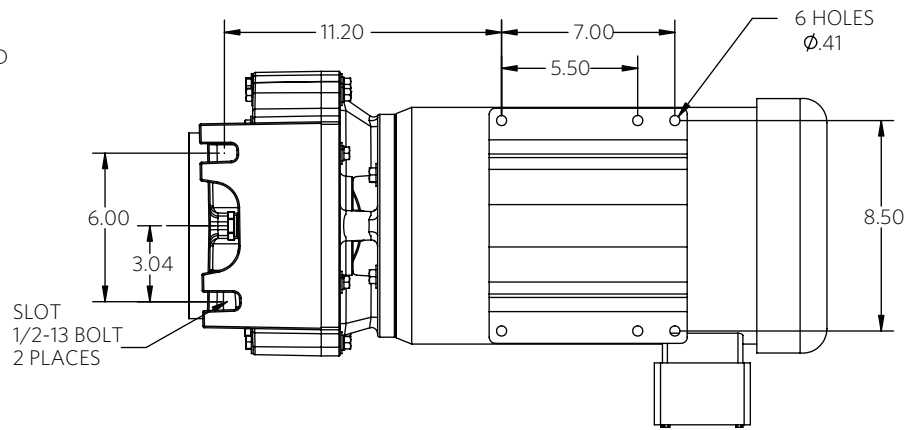
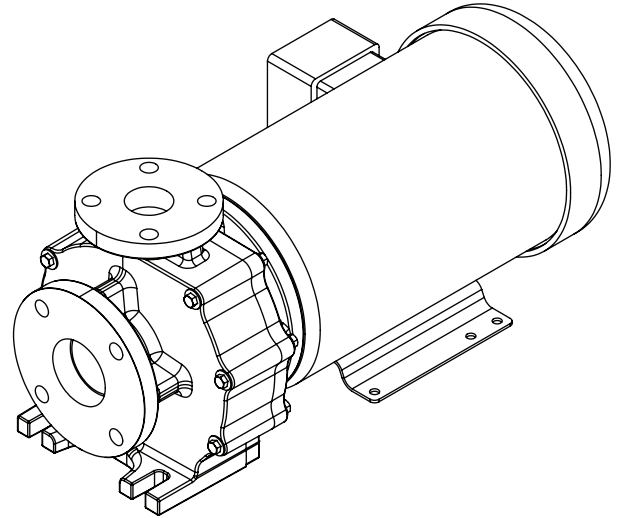
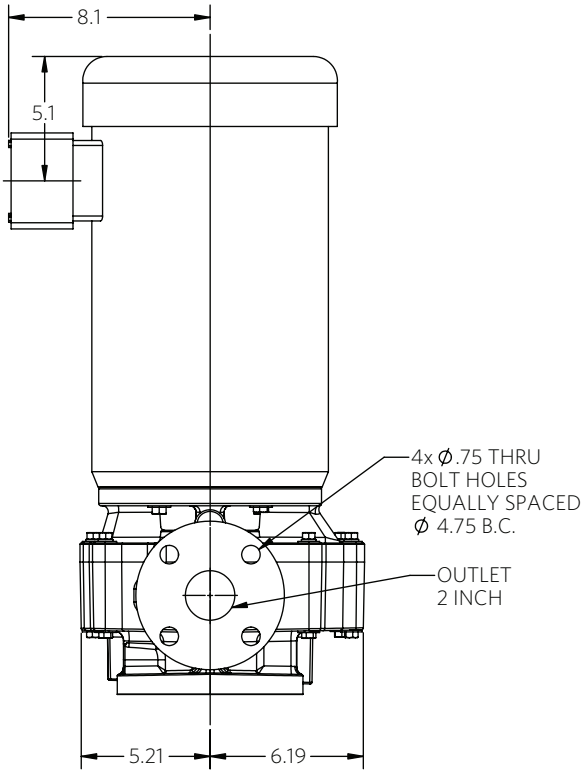


SLOT
1/2-13 BOLT
2 PLACES

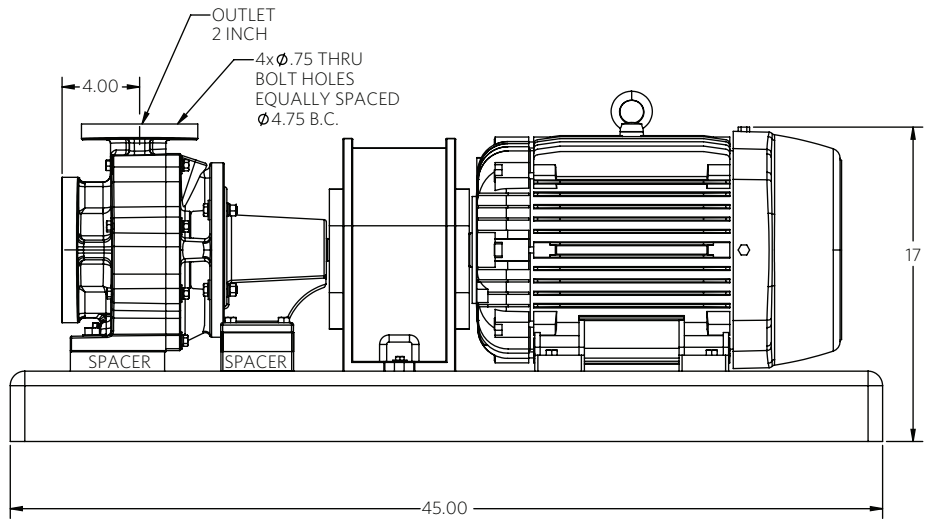
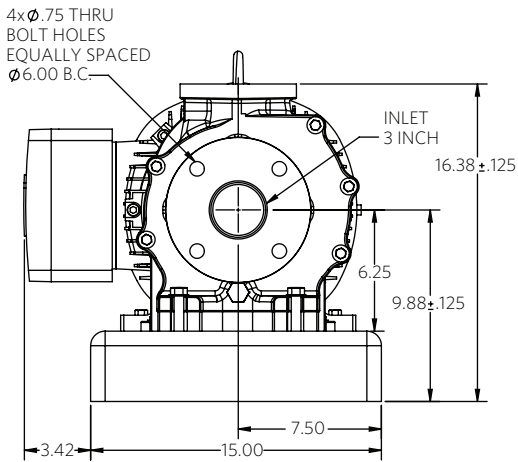
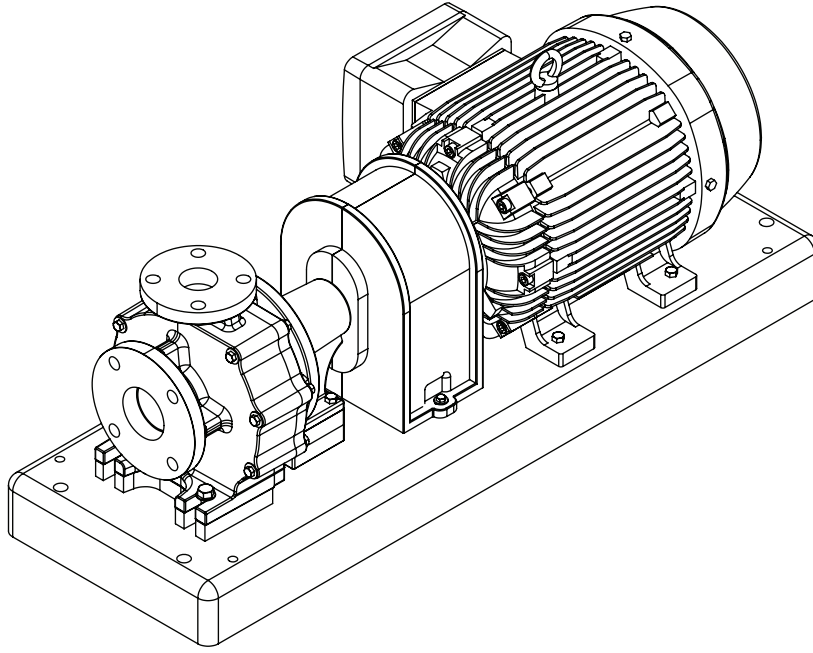
4X Ø.75 THRU
BOLT HOLES
EQUALLY SPACED
Ø 6.00 B.C.



*Dimensions and illustrations are approximate and for reference only.
For engineering approved documentation contact MDM Inc.

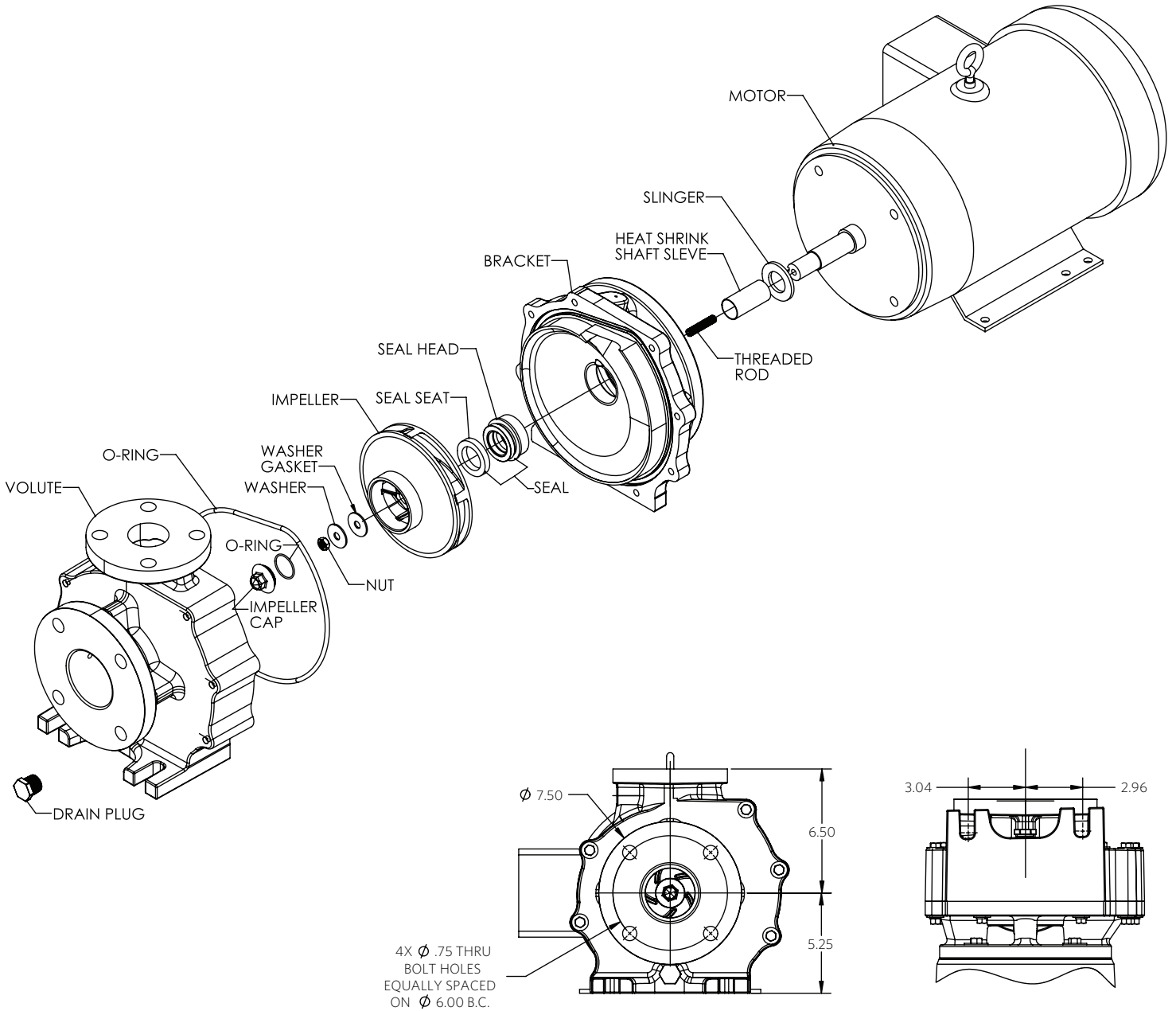


*Dimensions and illustrations are approximate and for reference only. For engineering approved documentation contact MDM Inc.



*Dimensions and illustrations are approximate and for reference only. For engineering approved documentation contact MDM Inc.

Genesys® 2x3x6 Dimensional Drawings - 2x3x6 Exploded View and Wet End



*Dimensions and illustrations are approximate and for reference only. For engineering approved documentation contact MDM Inc.