

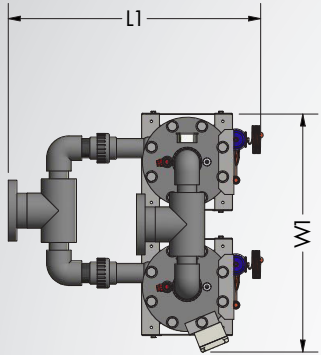


HYDROMARINE CHILLER 12.5 TONS - SPLIT

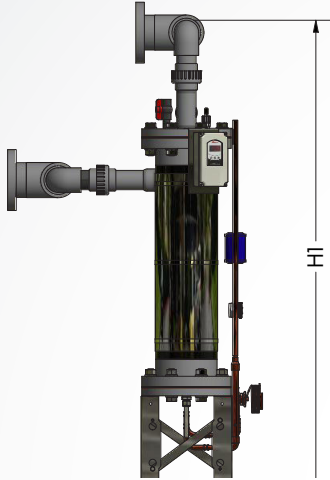
TITANIUM HEAT EXCHANGER FOR USE IN ALL AQUATIC CHILLING APPLICATIONS



EVAPORATOR DIMENSIONS



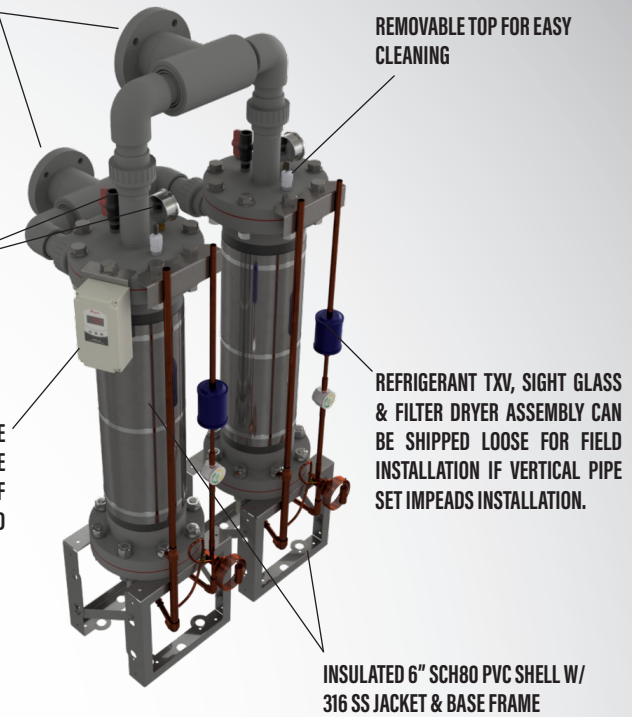
PLAN VIEW



FRONT VIEW



CONDENSER DIMENSIONS



NOTES:

- VERIFY LINE SET TUBING DIAMETERS FOR RUN AND RISE PER CARRIER IOM
- DUAL COMPRESSOR/EVAPORATOR DESIGN FOR INCREASED ENERGY EFFICIENCY, FLOW CAPABILITY AND REDUNDANCY.
- Gr.2 TITANIUM TUBE HEAT EXCHANGER COILS
- NORMAL OPERATING AMBIENT AIR TEMPERATURE: 50 F - 115 F
- ALL CONDENSING UNITS HAVE EER OF 11 OR BETTER.
- TOP DISCHARGE AREA SHOULD BE UNRESTRICTED FOR 48 INCHES MINIMUM
- AVOID PLACING UNIT IN DIRECT AREA OF ROOF RUNOFF OR CONSTANT WATER FLOW
- CONSULT **CARRIER** SPECIFIED CONDENSER CLEARANCES WHEN PLACING UNIT(S)
- SCH 80 PVC SHELL CONSTRUCTION WITH REMOVABLE FLANGED ENDS
- ALL 316 SS BASE, JACKET AND HARDWARE
- TEMPERATURE CONTROLLER CAN BE SET +/- 0.1° F/C. RECOMMENDED MINIMUM SETPOINT IS 45°F
- HAIL GUARD

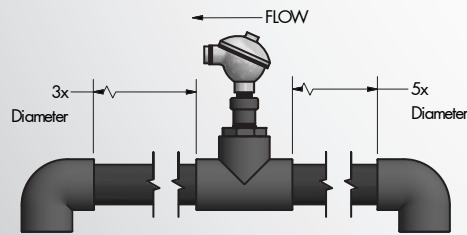
OPTIONS:

- LOW AMBIENT MOTORMASTER KIT FOR OUTDOOR TEMPERATURES -0°F TO 55°F
- MARINE CONDENSER COATING FOR COASTAL APPLICATIONS
- LOW TEMP APPLICATION EVAPORATOR FREEZE GUARD
- NON-FUSED DISCONNECT
- 115V CONVENIENCE OUTLET

SPECIFICATIONS				DIMENSIONS (EVAP)			DIMENSIONS (CONDENSER)			POWER OPTIONS		
MODEL NUMBER	Nominal Tonnage / BTUH	Vertical Air Discharge (CFM)	Δ PSI at max flow	Water Flow Range (GPM)	Length (L1)	Width (W1)	Max. Height (H1)	Length (L)	Width (W)	Max. Height (H)	208-230V / 3 ph. MCA	460V / 3 ph. MCA
DH-SC-12.5	12.5 / 150 000	6 000	<5	120 - 240	32"	30"	59"	60"	48"	61"	53.5	277

*MCA is the highest steady-state electrical current that the unit should see when operating correctly

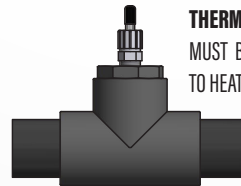
*Nominal Tonnage is based on entering water temperature of 40°F



FIELD INSTALLED FLOW SWITCH

FLOW SWITCH NOTE:

FLOW SWITCH MUST BE INSTALLED HORIZONTALLY ON INLET OF HEAT EXCHANGER, WITH MINIMUM STRAIGHT PIPE DISTANCES BEFORE AND AFTER AS SHOWN IN DRAWING. OPTIONAL FACTORY MOUNT & WIRE. (SHIPPED LOOSE)



THERMOWELL

THERMOWELL NOTE:

MUST BE INSTALLED ON INLET PIPING TO HEAT EXCHANGER. (SHIPPED LOOSE)



Delta Hydronics

9100 Bolton Ave., Hudson, FL, 34667 (727) 861-2421 - info@deltahydro.com