

RK25PE

PROTEIN FRACTIONATOR
HDPE Molded Tank

internal rinse system
seawater - 1 nozzle jet
(Manual)

riser configuration

external rinse system
high pressure - freshwater
4 nozzle jets.

L effluent drain union
back-side of
upper riser chamber
(not shown)

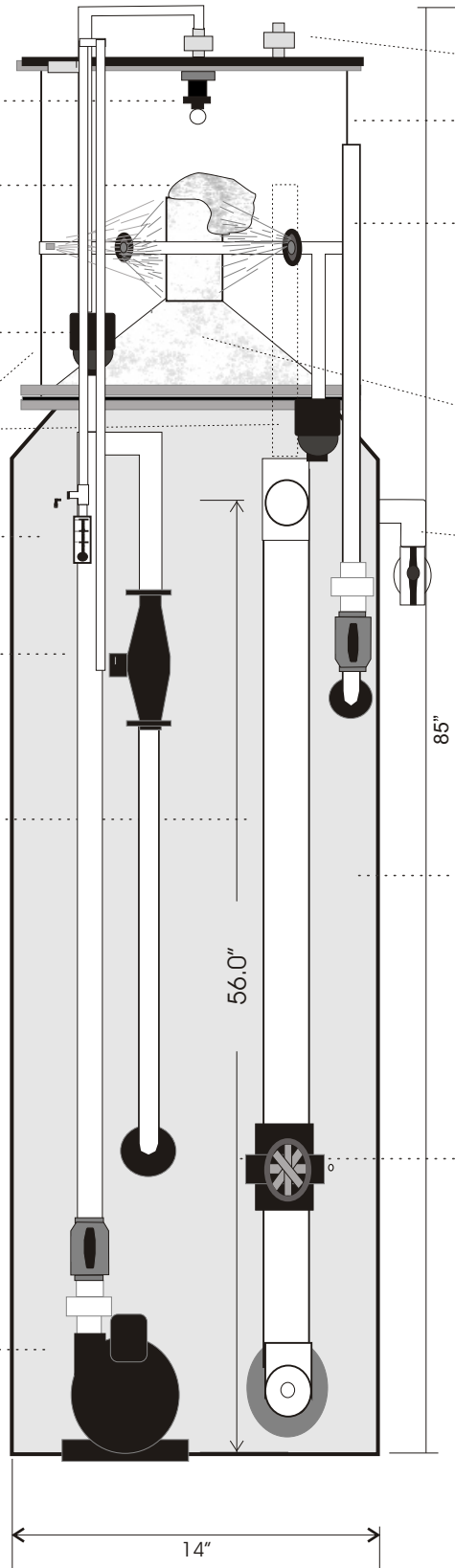
K electronic interval timer
3/4" fipit (rinse system)

venturi anti-siphon
air/ozone intake

Kynar venturi
& anti-siphon connx.

I filter discharge
return manifold
2"

dedicated venturi pump
2.00 amp max.
@115V 60Hz 1ph.



O ozone vent union

upper riser chamber
clear acrylic

Clear Sight Gauge
(Tank level monitor)

1" vent - (discharge manifold)

M 1.5" intake (PVC Ball Valve Soc)
(standard location @ 170°
optional 90° or 270°.)

85"

reaction chamber
HDPE custom molded
14" dia.

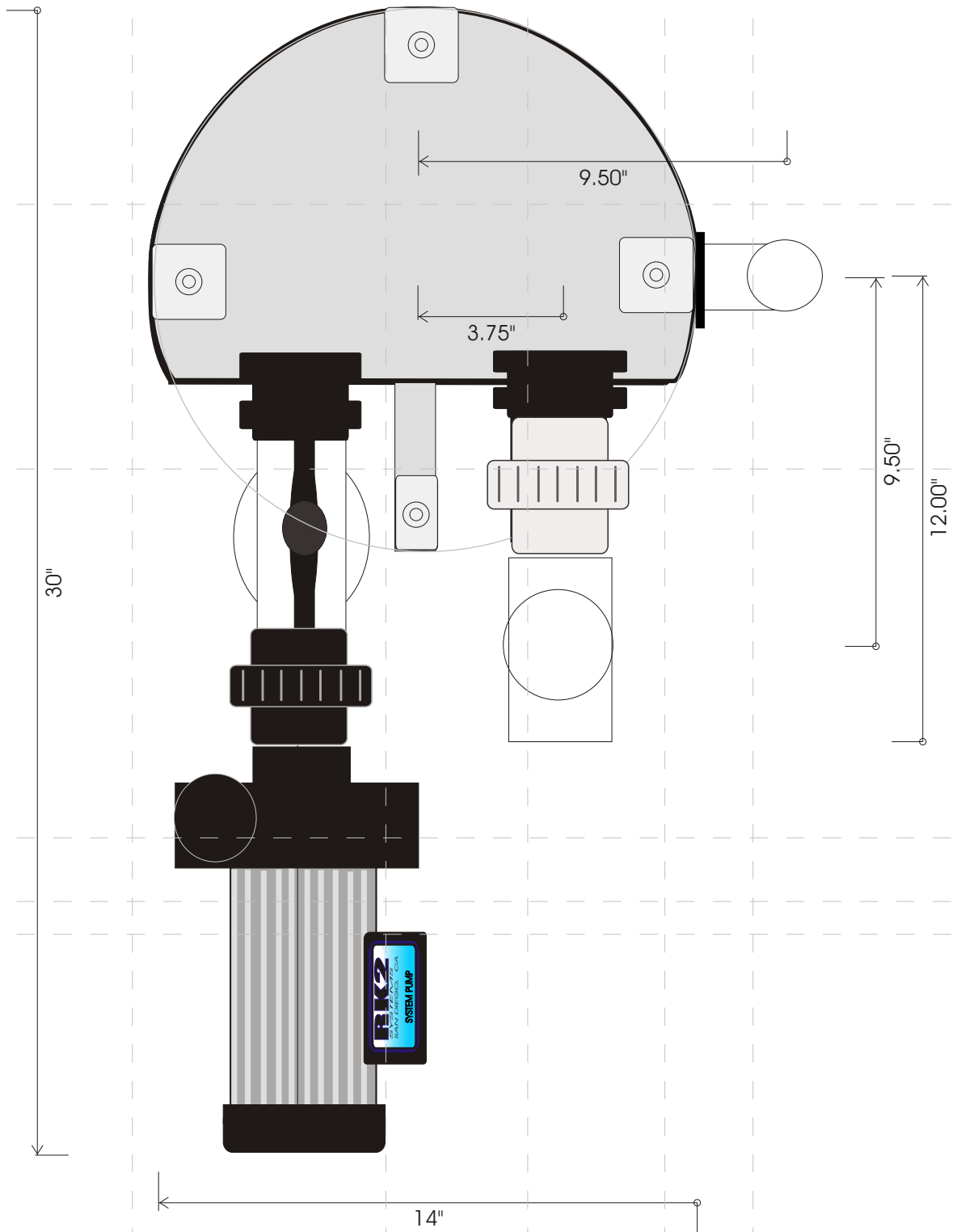
N level control valve

Floor

14"

RK25PE

SCALE: 1" = 2"
TOP VIEW:



- (M)** = FILTER INLET. 1.5" PVC SCH40 SLIP VALVE, VERTICAL POSITION. HEIGHT = 56.25"
- (L)** = EFFLUENT DRAIN. 1" PVC SCH40 SLIP UNION, HORIZONTAL POSITION. HEIGHT = 65.25".
- (I)** = FILTER DISCHARGE. 2" PVC SCH40 SLIP TEE, HORIZONTAL POSITION. HEIGHT = 56.0"
GRAVITY DRAIN, INITIAL 12" (MIN.) MUST DROP VERTICALLY, NO LATERAL PIPING.
- (O)** = OZONE VENT. 1" PVC SCH40 SLIP UNION. HEIGHT = 85.0"