

RK50PE
PROTEIN FRACTIONATOR
HDPE Molded Tank
 scale: 1 to 10

internal rinse system
seawater - 1 nozzle jet

riser configuration

external rinse system
 high pressure - freshwater
 4 nozzle jets.

L effluent drain union
 back-side of
 upper riser chamber
 (not shown)

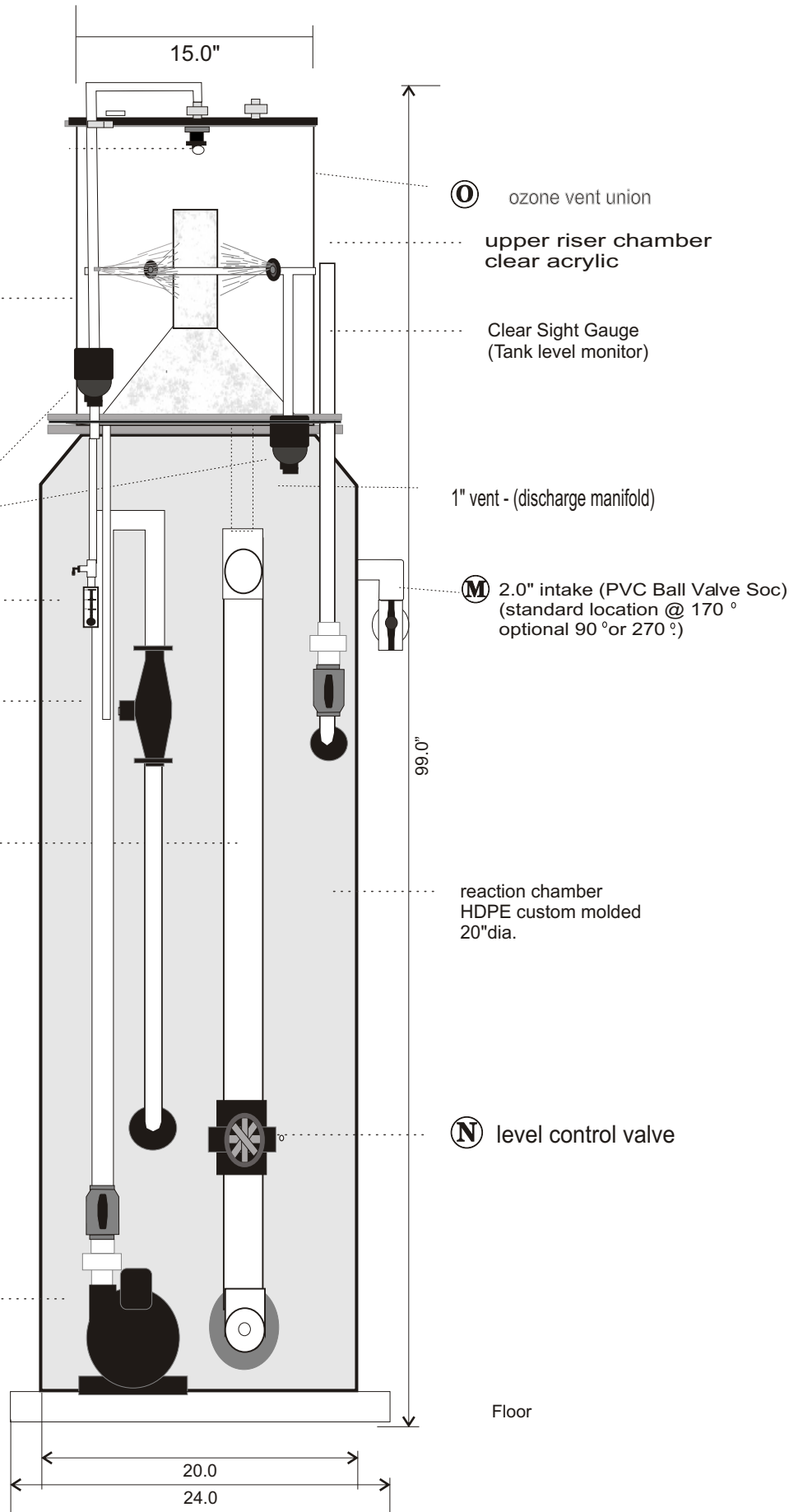
K electronic interval timer
 3/4" fipt (rinse system)

venturi anti-siphon
 air/ozone intake

Kynar venturi
 & anti-siphon connx.

I filter discharge
 return manifold
 3.0"

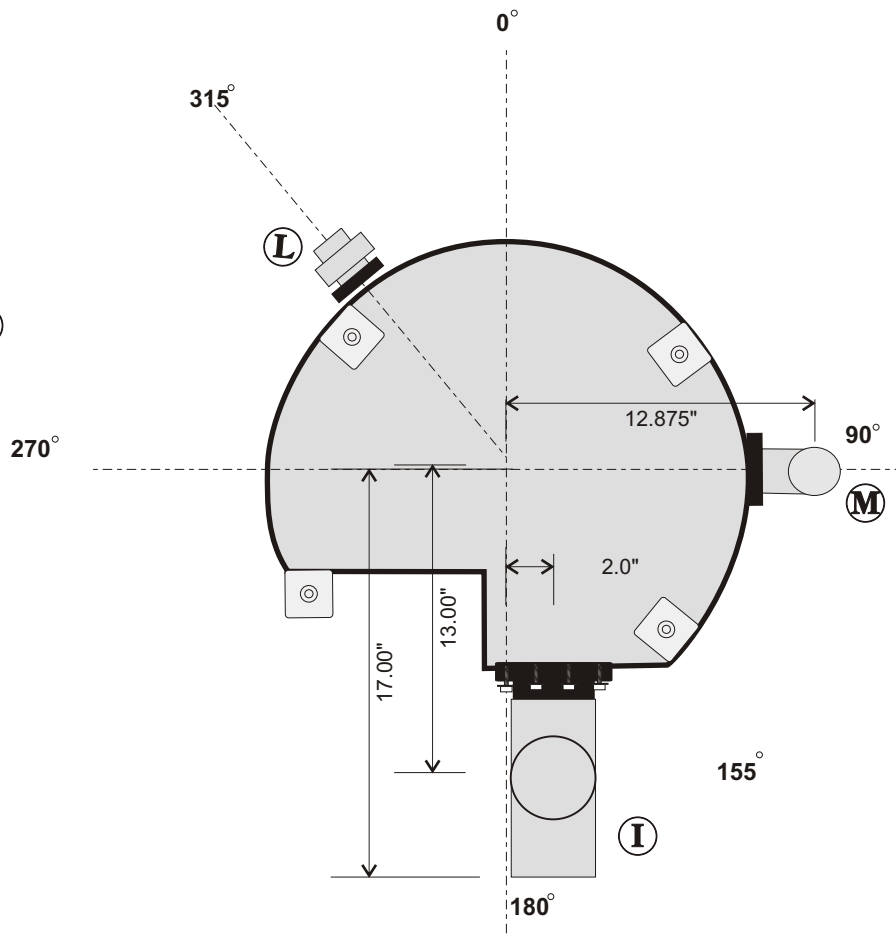
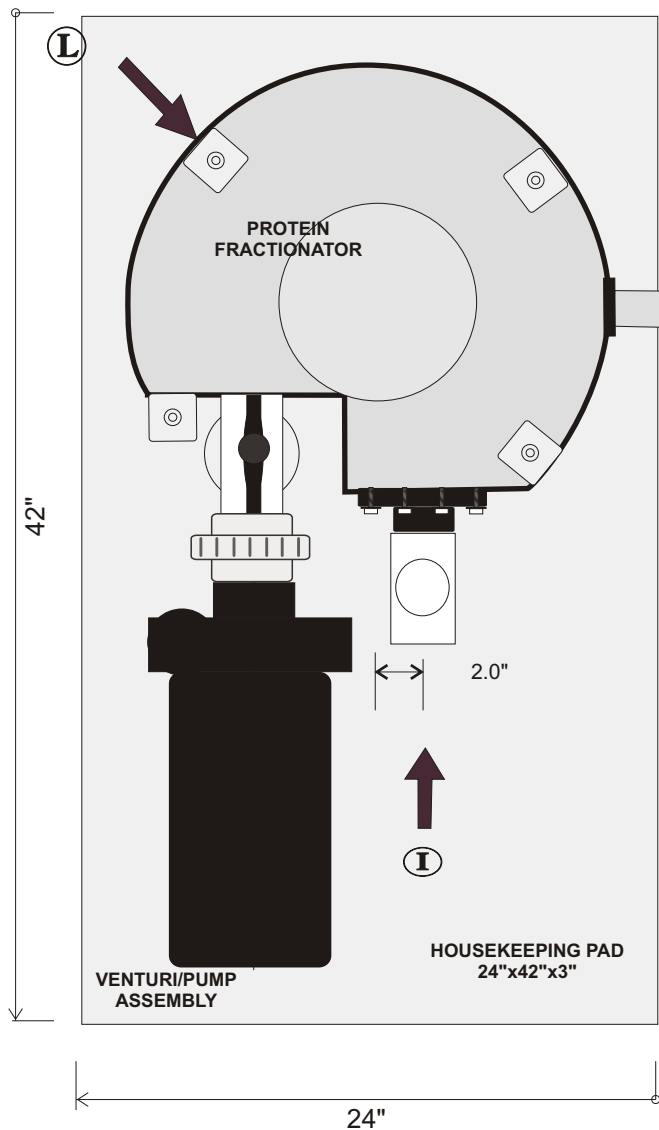
dedicated venturi pump
 1.5 / 3.0 amp max. TEFC
 @115 / 230V 60Hz 1ph.



RK50PE PLAN

SCALE: 1 to 8
TOP VIEW:

PORT ORIENTATION



© copyright 2000-2008 RK2 SYSTEMS, INC.
Any use of this design without the written permission of RK2 SYSTEMS is prohibited.

- (M)** = FILTER INLET. 2.0" PVC SCH40 SLIP VALVE, VERTICAL POSITION. USER - OPTIONAL POSITIONS. HEIGHT = 62.75"
- (L)** = EFFLUENT DRAIN. 1.5" PVC SCH40 SLIP UNION, HORIZONTAL POSITION. HEIGHT = 76"
- (I)** = FILTER DISCHARGE. 3" PVC SCH40 SLIP TEE, HORIZONTAL POSITION. HEIGHT = 63" GRAVITY DRAIN, INITIAL 12" MUST DROP VERTICALLY, NO LATERAL PIPING.
- (O)** = OZONE VENT. 1" PVC SCH40 SLIP UNION. HEIGHT = 99.0"
- (K)** = RINSE SYSTEM. 3/4" PVC SCH80 SLIP UNION.