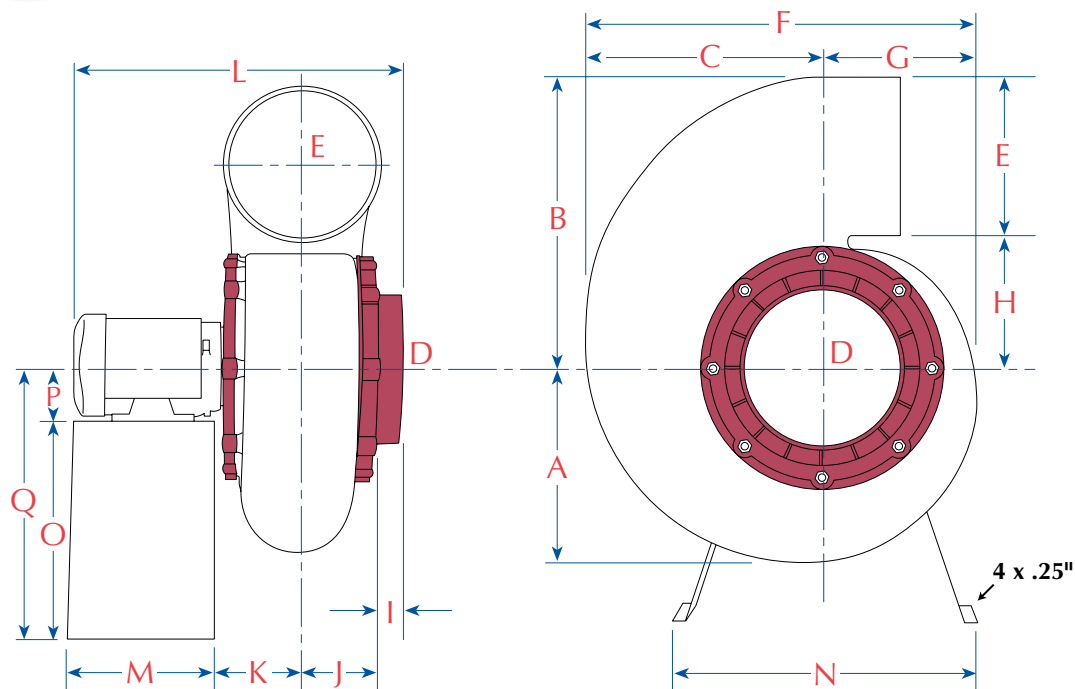




PHONE: (941) 751-7596  
 FAX: (941) 751-7598  
 2216 60th Drive East, Bradenton, FL 34203

# PLASTEC 25

Impeller/Wheel Diameter: 9.84



*Optional Aluminum (3450 RPM Model Only) and Stainless Steel Impeller/Wheel Available for all models  
 Metal stand optional, not standard. Shown with fan (see Accessories) for dimensional data only. Motor frame sizes may vary upon type of motor used.*

## DIMENSIONAL DATA (inches)

	A	B	C	D	E	F	G	H	I	J	K	M	N	O
<sup>1</sup>	9.76	14.87	12.20	7.87	8.62	18.25	7.67	6.25	1.37	3.74	4.13	7.125	16.25	11.81
<sup>2</sup>	9.76	14.87	12.20	7.87	7.87	16.25	7.67	6.25	1.37	3.74	4.13	7.125	16.25	11.81

1 - Standard Gray Polypropylene Housing Assembly

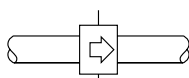
2 - Black Carbon Fiber Impregnated Polypropylene Housing Assembly For Explosion-Proof Series

L	P	Q	BLOWER TYPE
21.01	3.50	15.31	PLA25ST2P
21.26	3.50	15.31	PLA25XT2P
19.21	3.31	15.12	PLA25SS4P
18.59	3.50	15.31	PLA25ST4P
22.07	3.50	15.31	PLA25XS4P
20.99	3.50	15.31	PLA25XT4P
19.21	3.50	15.31	PLA25SS6P
18.76	3.14	14.95	PLA25ST6P
22.07	3.50	15.31	PLA25XS6P
19.15	3.50	15.31	PLA25XT6P

## SHOWN WITH OPTIONAL ROOF UNIT KIT



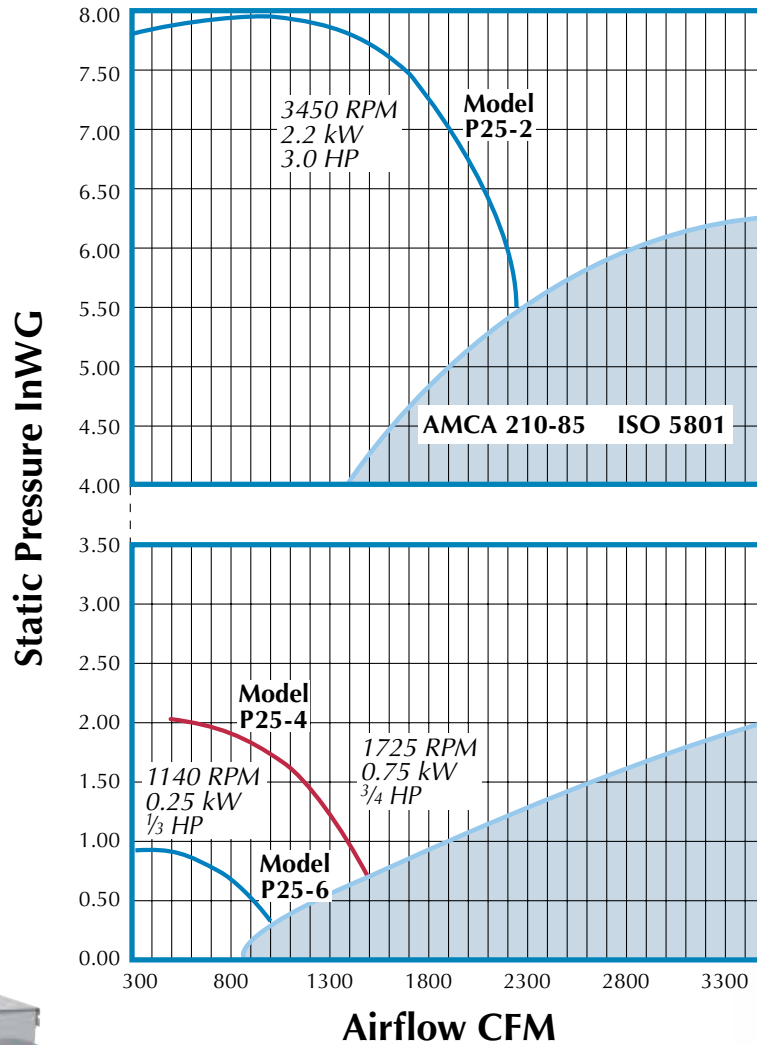
*See Accessories Performance and Dimensional Data Sheets for Roof Unit Kits*



Noise Level  
 (Ducted inlet/outlet)  
 Measured at 5 feet.

R.P.M.	LWA dB (A)
1150	48
1725	58
3450	75

# PLASTEC 25



For **Weather Protection** see optional accessory "Weather Hood Enclosed Pedestal" Model WH3, pictured at right. Also see Model WH5 Aluminum Weather Hood pictured at left.



## ROTATION AND DISCHARGE FOR CENTRIFUGAL FANS

### Standard Position



Counter-Clockwise  
Up Blast  
CCW 360



Counter-Clockwise  
Top Angular  
Up Blast  
CCW 45



Counter-Clockwise  
Top Horizontal  
CCW 90



Counter-Clockwise  
Top Angular  
Down Blast  
CCW 135



Counter-Clockwise  
Down-Blast  
CCW 180



Counter-Clockwise  
Bottom Angular  
Down Blast  
CCW 225



Counter-Clockwise  
Bottom  
Horizontal  
CCW 270



Counter-Clockwise  
Bottom Angular  
Up Blast  
CCW 315

### Optional Field Adjustable Positions

### Notes:

- (1) Direction of rotation is determined from the drive side of fan. **Standard position is up-blast CCW 360.**
- (2) On single inlet fans, drive side is always considered as the side opposite fan inlet.
- (3) Clockwise available upon request.